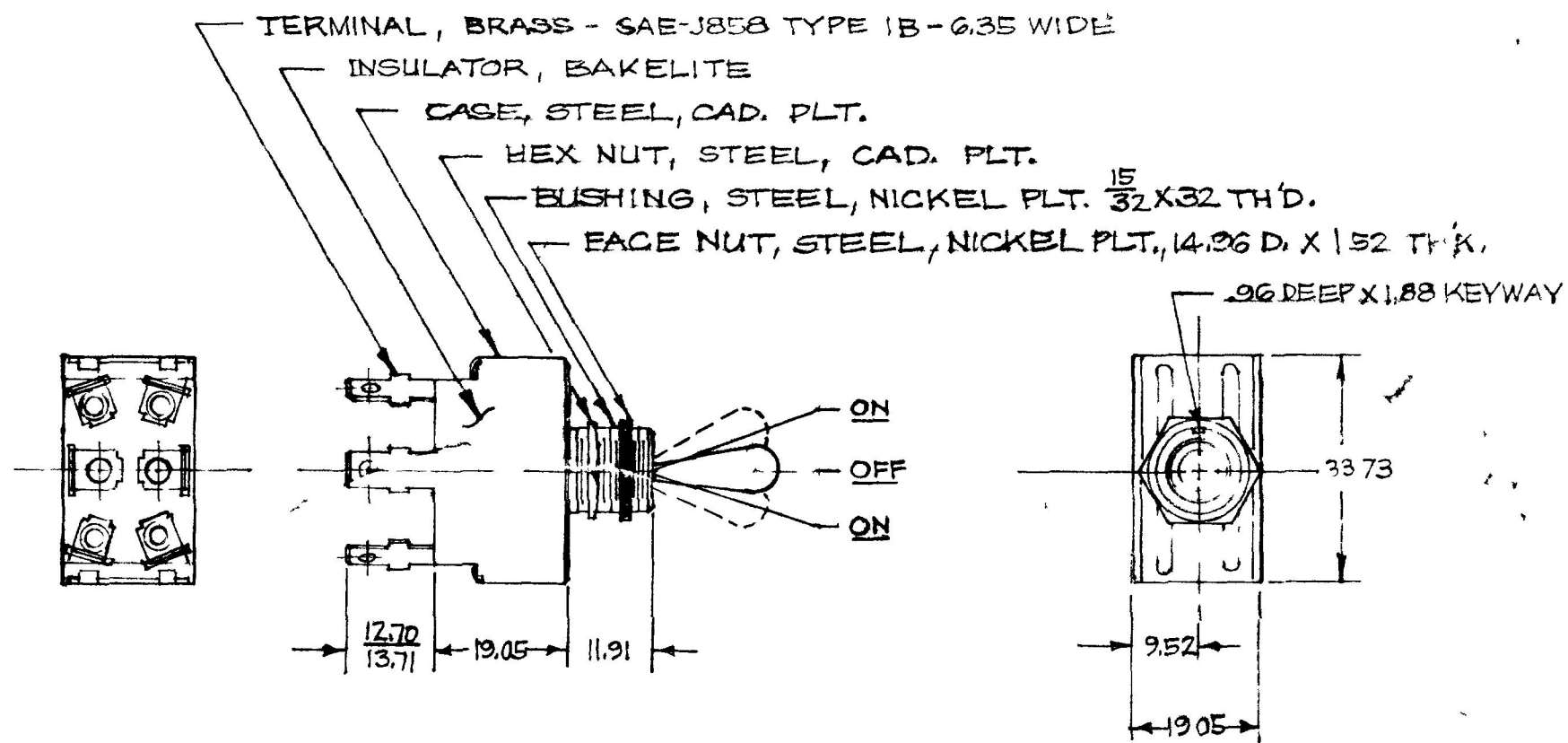


55019

COLE-HERSEE CO.

110
0.5
.380
.060
.072
.050
.375
.425
.500
.540
.630
.750
.875



NOTE
 (B) SILVER CONTACT SURFACES

METRIC

25 AMPS @ 12V DC

DO NOT SCALE

LET	WAS	DATE	BY	LET	WAS	DATE	BY	MATERIAL NOTED	DRAWN	CHECKED	APPRV D	SCALE	DATE DRAWN
								FINISH	GS	TY		FULL	8-21-56
								TOLERANCES FRACTIONAL ± DECIMAL ± .25	COLE-HERSEE COMPANY BOSTON, MASS 02127, USA D.P.D. TOGGLE SWITCH				DATE BLUEPRINT
				B	ADD NOTE/25432	9/14/93	JH						55019
				A	RE-DESIGN IN METRIC	6-6-77	JK						

SPAULDING CO INC 21 5353