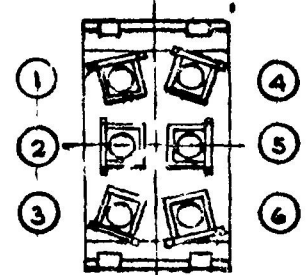
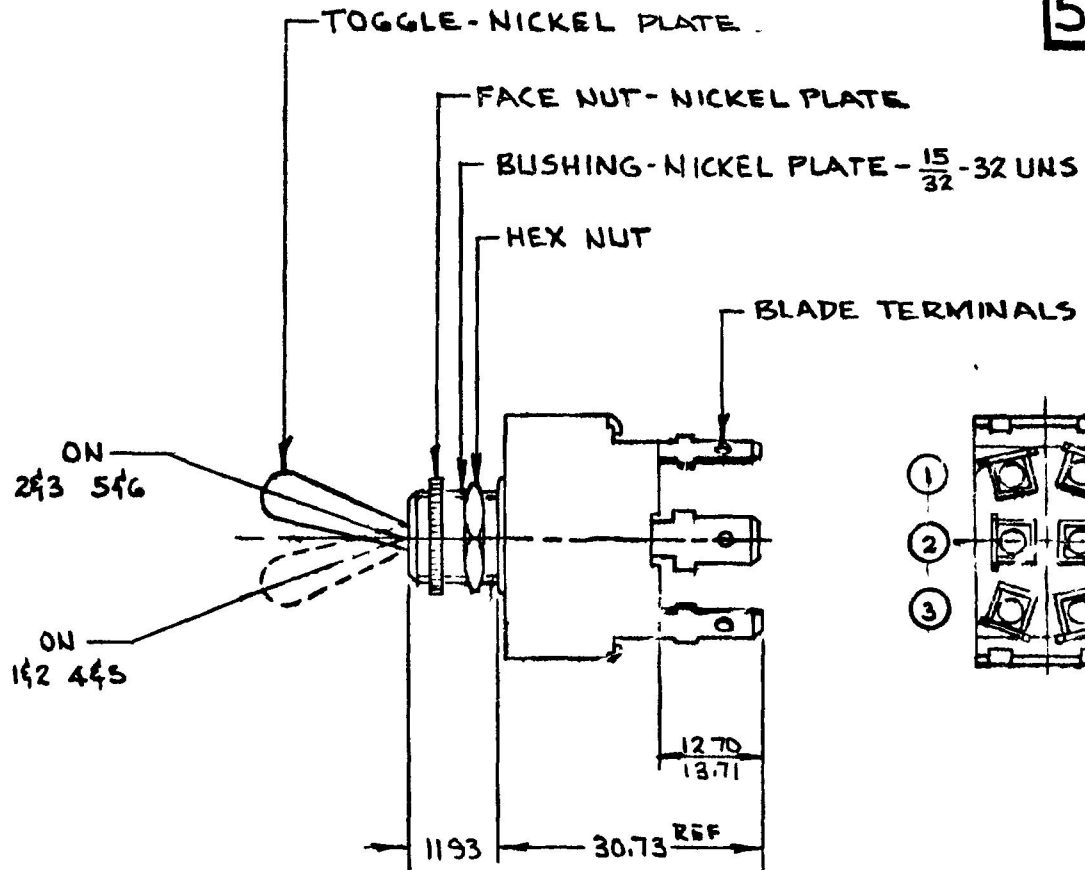
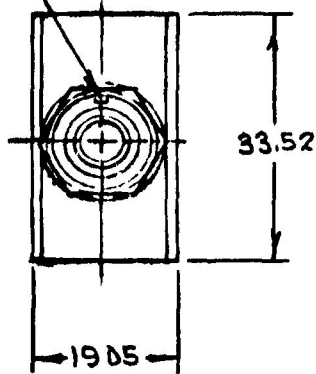


MM	IN
.50	.020
1.62	.072
11.93	.470
12.70	.500
15.71	.640
19.05	.750
25.40	1.000
38.10	1.500
50.80	2.000

55018

KEYWAY 96 X 1.82



NOTE
 (A) SILVER CONTACT SURFACES

METRIC 25AMPS @ 12V DC LAMP LOAD

DO NOT SCALE

LET	WAS	DATE	BY	LET	WAS	DATE	BY	MATERIAL	DRAWN	CHECKED	APPRVD.	SCALE	DATE DRAWN
								—	GS	H		1:1	8-21-56
								FINISH					DATE BLUEPRINT
								—					
				H	ADD NOTE / 25932	1/15/59	LN	TOLERANCES	TOGGLE SWITCH DPDT				55018
				G	REDRAWN, NO CHANGE	7-20-83	KJE	DECIMAL ±					
								METRIC ±0.25					

CH-188(4-78)