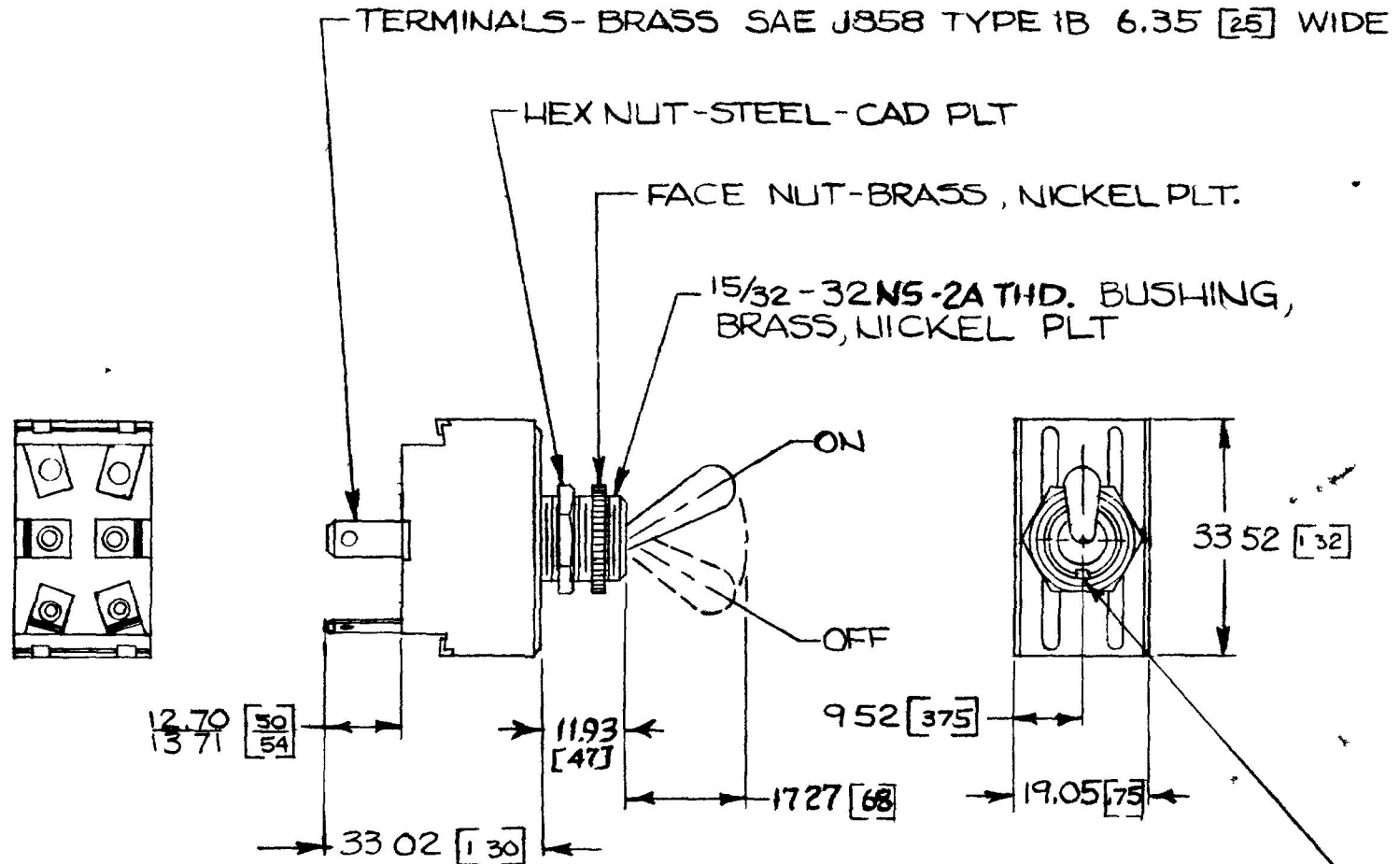


COLE-HERSEE CO. NPM 11-10-75

EX-17265

55017-02



DIMENSIONS MILLIMETERS [INCHES]

1.82 [0.72] X .96 [0.38] DEEP
KEYWAY

NOTE
1" O RING SEALED (NEOPRENE)
① 2 SILVER CONTACT SURFACES

25 AMPS @ 12 V DC

DO NOT SCALE

LET	WAS	DATE	BY	LET	WAS	DATE	BY	MATERIAL	DRAWN	CHECKED	APPRV D	SCALE	BASIC, EXCEPT	DATE DRAWN
								1/2	JWH	TJ		1=1	O-RING SEALED	10-16-75
								FINISH	COLE-HERSEE COMPANY BOSTON, MASS 02127, U.S.A.					DATE BLUEPRINT
								1/2						
				A	ADD NOTE/25432	1/15/93	TJH	TOLERANCES	DPST, "OFF-ON" TOGGLE SWITCH					55017-02
					ISSUED	11/8/75	TJH	FRACTIONAL ±						
								DECIMAL ± 0.010						