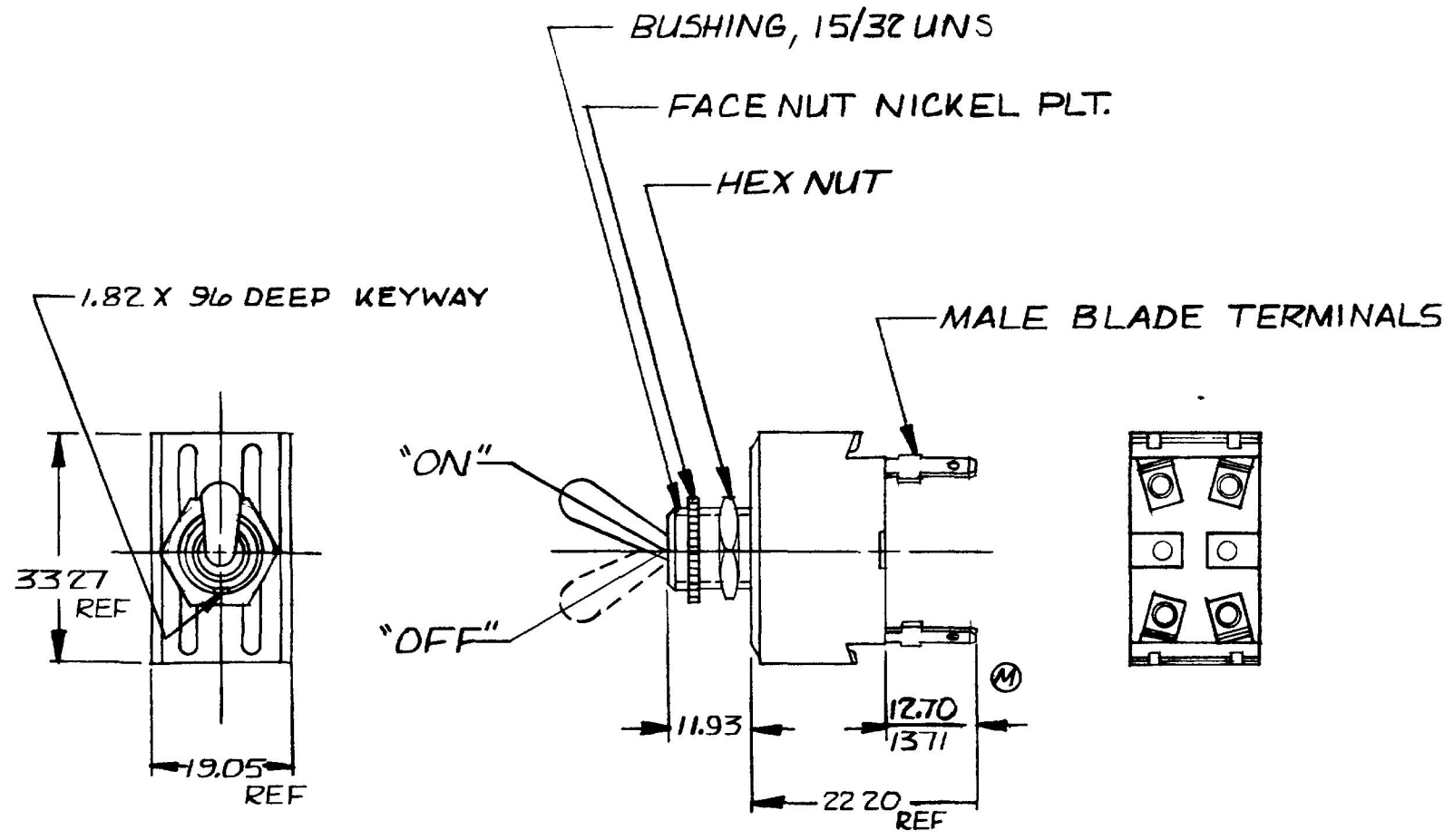


55017

MM	IN
.25	.010
.96	.038
1.82	.072
11.93	.470
12.70	.500
13.71	.540
19.05	.750
22.20	.874
33.27	1.310




25 AMPS 12VDC

NOTE
 Ⓜ SILVER CONTACT SURFACES

METRIC

DO NOT SCALE

LET	WAS	DATE	BY	LET	WAS	DATE	BY	MATERIAL	DRAWN	CHECKED	APPRV'D	SCALE	DATE DRAWN				
								—H—	GS	RJA		1 1	8-21-56				
								FINISH —H—	 Cole Hersee Co. <small>20 OLD COLONY ENJ SOUTH BOSTON, MA. U.S.A. 02 27</small>				DATE BLUEPRINT				
				N	ADD NOTE/25932	9/15/93	JH										
				M	REV TERMS	1-7-82	Ⓜ	TOLERANCES DECIMAL ± METRIC ±.25									
				L	REV & REDRAWN	4-16-8	Ⓜ		D.P.-S.T. OFF-ON TOGGLE SW.				55017				

CH 188(4 78)