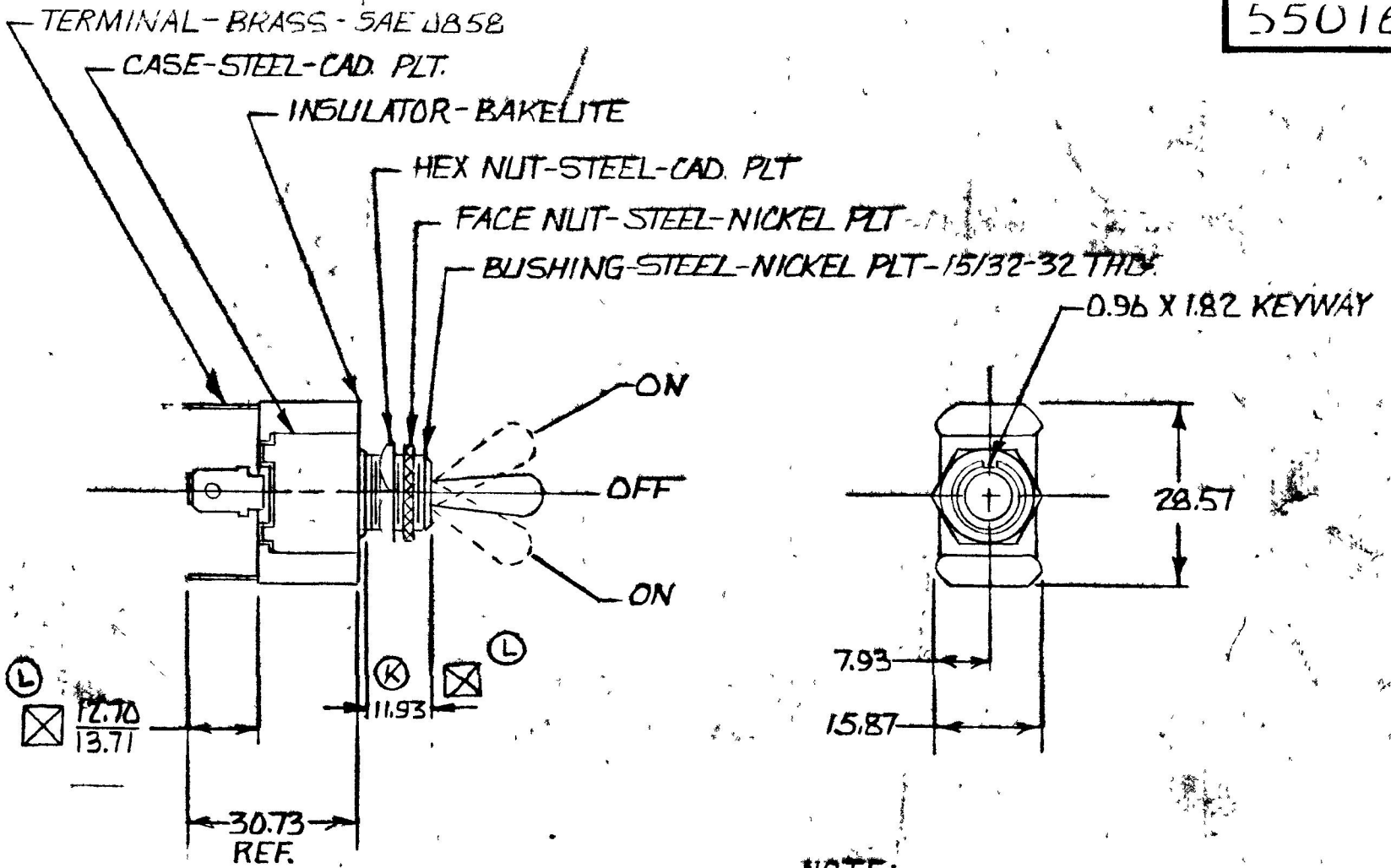


55016

COLE-HERSEE CO.

0.25	.010
0.38	.015
0.51	.038
1.52	.060
1.82	.072
7.93	.312
12.70	.500
11.93	.470
13.71	.540
14.98	.590
15.87	.625
28.57	1.125
30.73	1.210



NOTE:
 (M) SILVER CONTACT SURFACES

METRIC

DO NOT SCALE

LET	WAS	DATE	BY	LET	WAS	DATE	BY	MATERIAL	DRAWN	CHECKED	APPR'D	SCALE	DATE DRAWN
									PLB	JH		1-1	9-6-56
				M	ADD NOTE/25932	9/15/93	JH	FINISH	COLE-HERSEE COMPANY BOSTON, MASS. 02127, U.S.A.				DATE BLUEPRINT
				L	ADD SYMBOLES	2-23-92	JH						TOGGLE SWITCH
				K	.531/21279	1-21-81	JH	TOLERANCES					
				J	ADD MEASURES	4/1/77	JH	FRACTIONAL ± 0.38 DECIMAL ± 0.25					