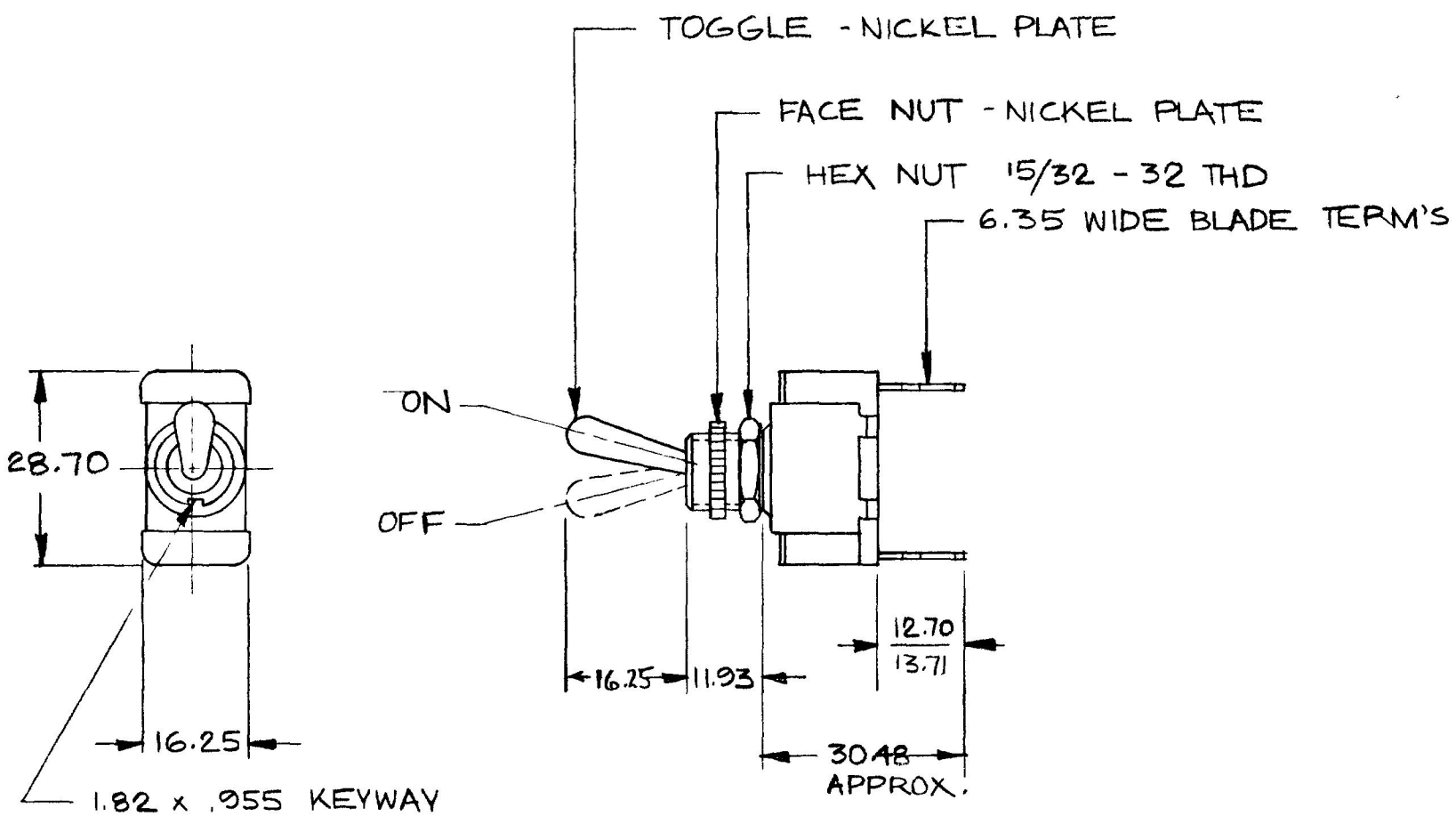


| MN | IN |
|-------|------|
| .955 | .038 |
| 1.82 | .072 |
| 6.35 | .25 |
| 11.93 | .47 |
| 12.70 | .50 |
| 13.71 | .54 |
| 16.25 | .64 |
| 28.70 | 1.13 |
| 30.48 | 1.20 |

55014-05



METRIC

25AMP-12V DC

NOTES:

- 1 NEOPRENE O-RING SEAL IN BUSHING
- 2 SILVER CONTACT SURFACES

DO NOT SCALE

| LET | WAS | DATE | BY | LET | WAS | DATE | BY | MATERIAL | DRAWN | CHECKED | APPRV D | SCALE | DATE DRAWN |
|-----|-----|------|----|-----|-----|------|----|------------|---|-------------|---------|-------|----------------|
| | | | | | | | | — | RY | [Signature] | | 1:1 | 1-21-75 |
| | | | | | | | | FINISH | | | | | DATE BLUEPRINT |
| | | | | | | | | TOLERANCES | 20 OLD COLONY AVENUE SOUTH BOSTON MA U.S.A. 02127 | | | | |
| | | | | | | | | DECIMAL ± | | | | | SWITCH, TOGGLE |
| | | | | | | | | METRIC ± | | | | | |

CH-188(4-78)