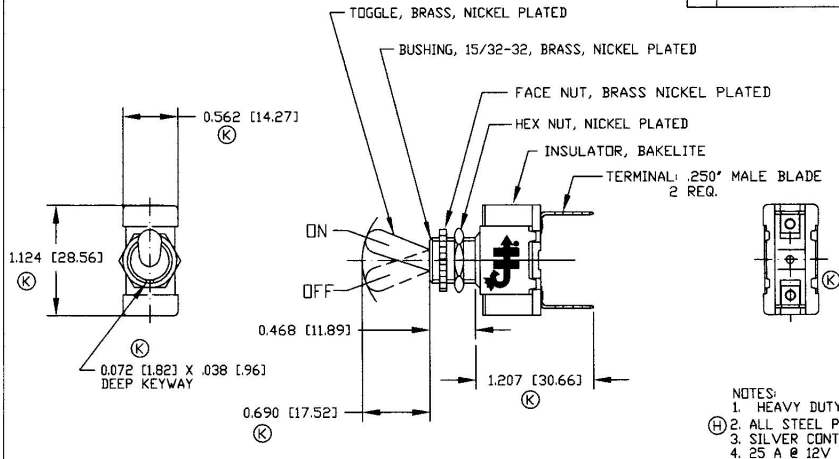


### Revision Control Record

Rev.	Description of Change	ECN No.	Date
K	PUT ON CAD	05124	01/20/05



- NOTES:
1. HEAVY DUTY CONTACTS
  - (H) 2. ALL STEEL PARTS ZINC PLATED
  3. SILVER CONTACT SURFACES
  4. 25 A @ 12V / 15 A @ 24V

**Tolerances:** Unless otherwise specifically noted, the following are default tolerances:  
 \* 3-place Decimal Dimensions  $\pm .005$   
 \* 3-place Decimal Dimensions  $\pm .005$   
 \* Angular Dimensions  $\pm 1.0$  Deg.  
 \* Metric: Refer to equivalent English Dimension Tolerance  
 \*\*\* NOTE: All tolerances are Non-Cumulative. \*\*\*

**Dimensional Units:** All dimensions are expressed in inches except those shown in brackets (xxx) are expressed in millimeters

**TRC or an Asterisk (\*) = Non-Toleranced Reference Dimension, shown for clarification purposes only.**

Used On: \_\_\_\_\_  
 or Ref.: \_\_\_\_\_

Scale: **1:1**

**PROPRIETARY INFORMATION:** This Engineering Drawing, and the information contained herein, is proprietary to Cole Horse Company and may not be disclosed, reproduced, or in any other way transmitted or communicated to any other party without the express written consent of an authorized representative of Cole Horse Company.

**DESIGN CONTROL:** It is the responsibility of the individual using/referencing this drawing to ensure that the noted design revision level agrees with the revision level of the Controlled Document (Master Drawing). This is a NON-CONTROLLED DOCUMENT unless otherwise specifically noted.

DO NOT SCALE - Dimensional variation may occur during printing/reproduction.

Drawn By: **LMC**

Date Drawn: **2/27/67**

**Special Characteristics:**

- Critical Characteristic, relating to Safety and/or Regulatory Compliance
- Significant Characteristic relating to Process Control (SPC)
- Key Characteristic relating to Form - Fit - Function as defined by Cole Horse Company and/or the Customer

(Note that the identification of any Characteristic as being "special" does not alter the requirement that ALL specified dimensions & tolerances must be met.)

Responsible Engineer: **G.AUGUSTE**

Pg. 1 of 1

**Cole Horse Co.**

20 Old Colony Ave., South Boston, MA, 02127  
 Phn: 617-268-3100 Web: www.colehorse.com

**Description:** **SWITCH, TOGGLE . SPST ON-OFF**

**Drawing / Part No.:** **55014**

**Current Rev.:** **K**