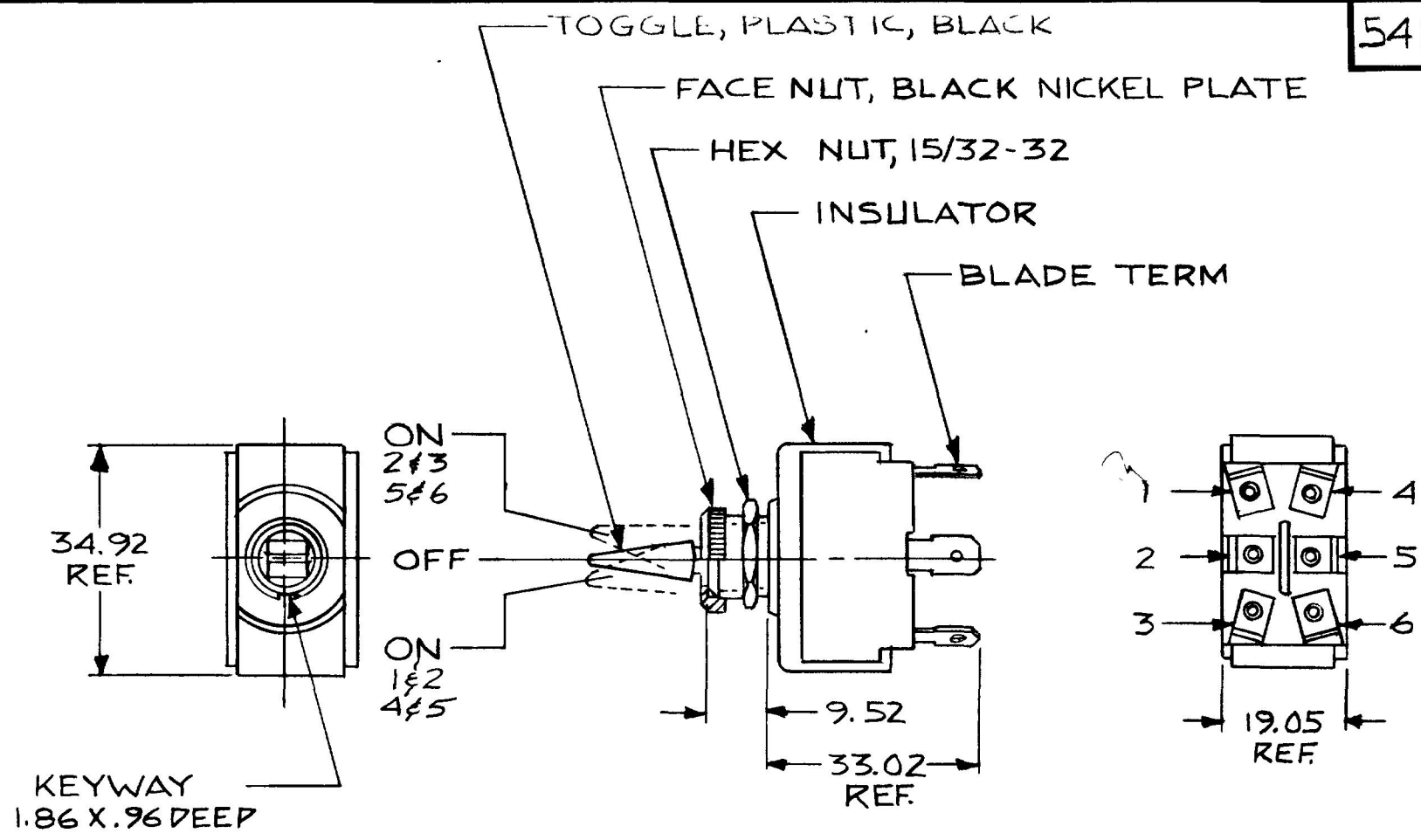


MM IN
 .96 .038
 1.86 .072
 9.52 .375
 19.05 .750
 33.02 1.300
 34.92 1.375

54107-01




KEYWAY
 1.86 X .96 DEEP

NOTES:
 1. SILVER CONTACTS
 2. RATING: 25AMPS @ 12V. D.C.
 LAMP LOAD

METRIC

DO NOT SCALE

LET	WAS	DATE	BY	LET	WAS	DATE	BY	MATERIAL	DRAWN	CHECKED	APPRV'D	SCALE	DATE DRAWN
								—H—	DPS	RJZ		1:1	10-2-81
								FINISH —H—	 Cole Hersee Co. <small>20 OLD COLONY AVENUE SOUTH BOSTON MA U.S.A. 02127</small>				DATE BLUEPRINT
								TOLERANCES DECIMAL ±.010 METRIC ±.25					D.P.D.T. TOGGLE SW
					Issued	11-2-81	RJZ						

CH-188(4-78)