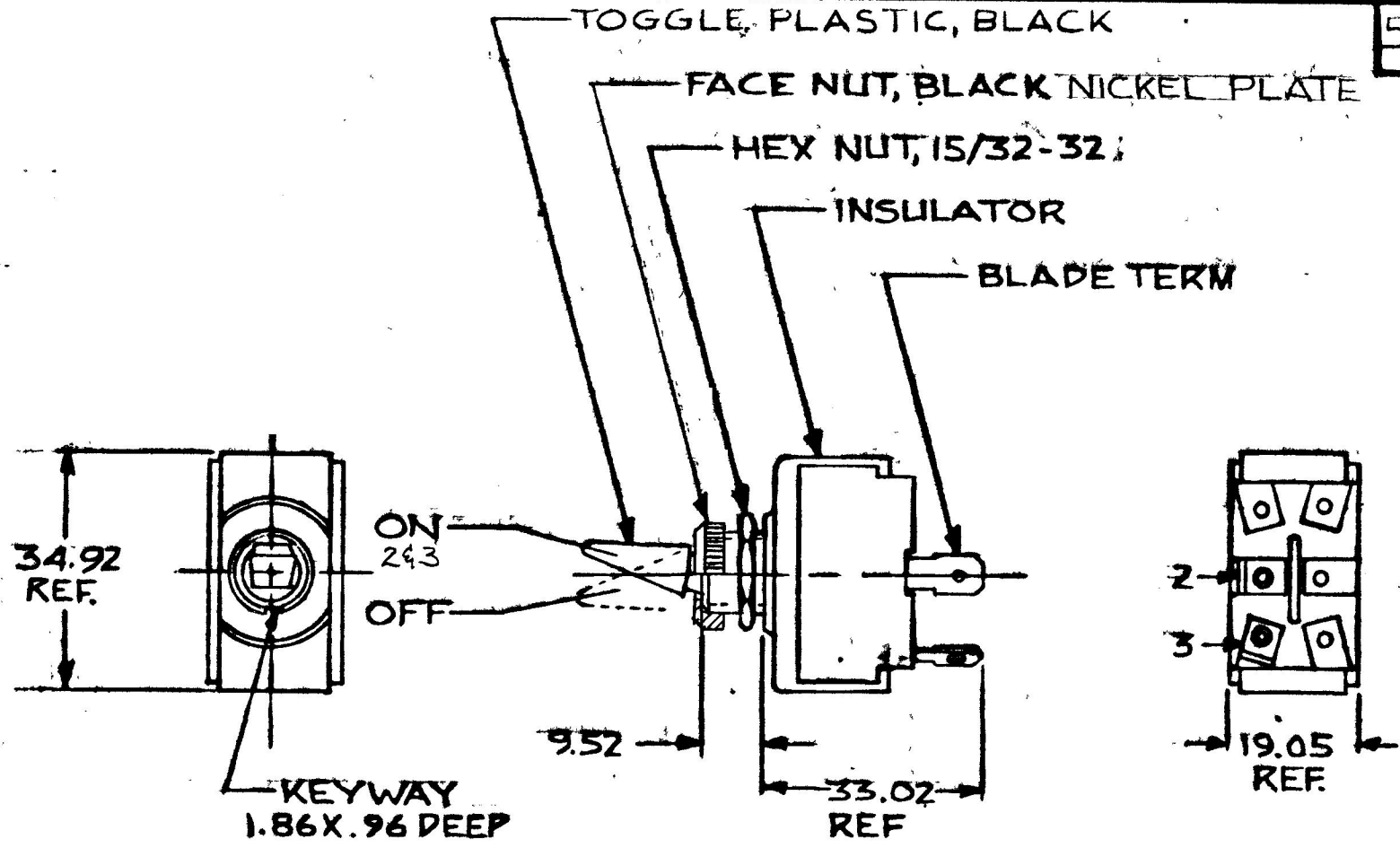


MM	IN
.96	.038
1.86	.072
9.52	.375
19.05	.750
33.02	1.300
34.92	1.375

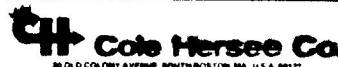
54100-01



NOTES
 1. SILVER CONTACTS
 2. RATING: 25AMPS @ 12V. DC.
 LAMP LOAD

METRIC

DO NOT SCALE

LET	WAS	DATE	BY	LET	WAS	DATE	BY	MATERIAL	DRAWN	CHECKED	APPRV'D	SCALE	DATE DRAWN
								— # —	DPS	RJA		1:1	10-2-81
								FINISH					DATE BLUEPRINT
								TOLERANCES	 30 OLD COLONY AVENUE, SOUTH BOSTON, MA, U.S.A. 02127				
								DECIMAL ± 0.10 METRIC ± .25					SPST TOGGLE SW

CM-168(4-78)