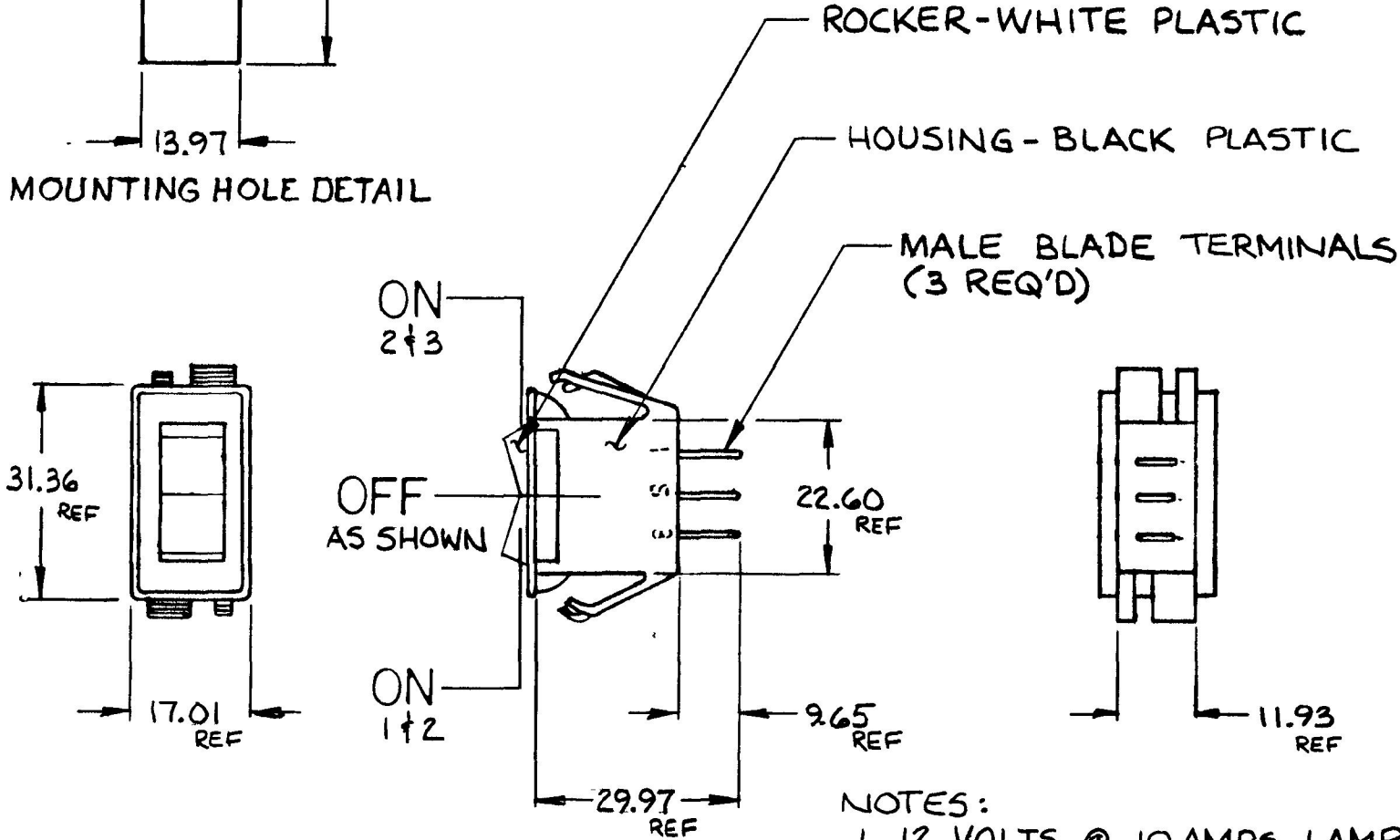
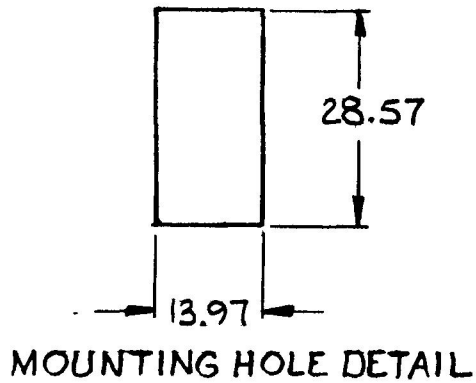


54001-02

MM	IN
.50	.020
6.35	.250
9.65	.380
11.93	.470
13.97	.550
17.01	.670
22.60	.890
28.57	1.125
29.97	1.180
31.36	1.235



NOTES:  
 1. 12 VOLTS @ 10AMPS LAMP LOAD.  
 2. MTG PANEL .50 TO 6.35 THK.

METRIC

DO NOT SCALE

LET	WAS	DATE	BY	LET	WAS	DATE	BY	MATERIAL	DRAWN	CHECKED	APPR'D	SCALE	DATE DRAWN
								—//—	YAK	CS		1=1	5-21-84
								FINISH	Cole Hersee Co. <small>10 OLD COLONY AVENUE SOUTH BOSTON, MA. U.S.A. 02127</small>				DATE BLUEPRINT
								—//—					
								TOLERANCES	ROCKER SWITCH				54001-02
								DECIMAL ±					
								METRIC ±					
					ISSUED	11-8-84	CS						

CH-188(4-78)