

Voltage Monitoring Relays

50R Series

Single-Phase Voltage Monitor



Description

The 50R series is a single-phase voltage monitor with a voltage-sensing circuit that constantly monitors the single-phase power for a low-voltage condition. When a harmful condition is detected, the MotorSaver® deactivates its output relay after a specified trip delay. The output relay reactivates after power line conditions return to an acceptable level and a specified amount of time has elapsed (restart delay). The trip delay prevents nuisance tripping due to rapidly fluctuating power line conditions. This monitor is used in a variety of applications such as compressors, air conditioners, heat pumps, well pumps, sump pumps, and small conveyer motors.

Features & Benefits

FEATURES	BENEFITS
Proprietary voltage sensing circuitry	Constant monitoring of single-phase power for a low-voltage condition
Adjustable trip delay (-3 models) and restart delay (-2 models) settings	Prevents nuisance tripping due to rapidly fluctuating power line conditions, allows staggered start-up of multiple motors after a fault
High-voltage detection (-9 models)	Trips and resets at a fixed percentage of the setpoint: trip 110%, reset 107%
600 V rated relay contacts available on some models	Eliminates the need for a control transformer to step voltage down to 120–240 V for a control circuit

Applications

- Fan motors
- Air conditioners
- Compressors
- Heat, well, and sump pumps
- Small conveyer motors

Voltage Monitoring Relays

50R Series

Specifications

Input Characteristics

Line Voltage	
50R-100	95–120 V ac
50R200	190–240 V ac
50R400	380–480 V ac
Frequency	50*/60 Hz

Functional Characteristics

Low Voltage	
Trip (% of setpoint)	90%
Reset (% of setpoint)	93%
Delay Time (Nominal) Trip	4 seconds
Restart (low voltage)	2 seconds
Restart (complete power loss)	2 seconds

Output Characteristics

Output Contact Rating

(SPDT - 1 Form C)	
50R-100, 50R200	
Pilot Duty	480 VA @ 240 V ac
General Purpose	10 A @ 240 V ac
50R400	
Pilot Duty	470 VA @ 600 V ac

General Characteristics

Ambient Temperature Range

Operating	-20°C to 70 °C (-4 °F to 158 °F)
Storage	-40 °C to 80 °C (-40 °F to 176 °F)

Maximum Input Power

5 W

Relative Humidity

10–95%, non-condensing per IEC 68-2-3

Terminal Torque

7 in.-lbs.

Wire Size

12–18AWG

Electrostatic Discharge (ESD)

IEC 61000-4-2, Level 3, 6 kV contact, 8 kV air

Fast Transient Burst

IEC 61000-4-4, Level 3, 3.5 kV input power and controls

Transient Protection (Internal)

IEC 61000-4-5; 1995 ±6 kV

Dimensions

H 74.4 mm (2.93"); **W** 133.9 mm (5.27"); **D** 74.9 mm (2.95")

Weight

0.98 lb. (15.68 oz., 444.52 g)

Mounting Method

#8 screws

Special Options

Opt. 2: Variable Restart Delay Manual, 2–300 seconds

Opt. 3: Variable Trip Delay 2–30 seconds

Opt. 9: High Voltage Detection

Operating Points

Trip (% of Setpoint) 110%

Reset (% of Setpoint) 107%

*Note: 50 Hz will increase all delay timers by 20%

Certification & Compliance

UL	UL 508 (File #E68520)
CE	IEC 60947-6-2

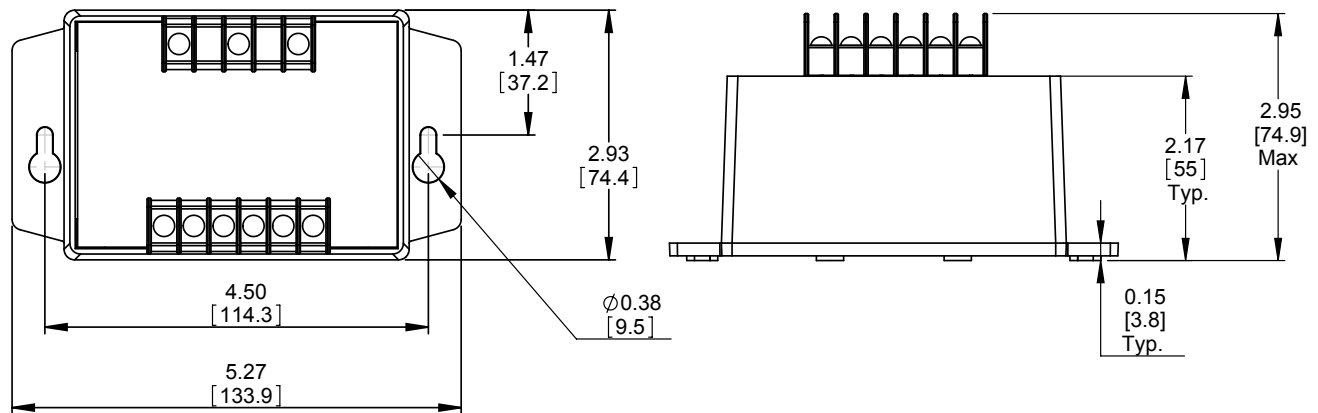
Voltage Monitoring Relays

50R Series

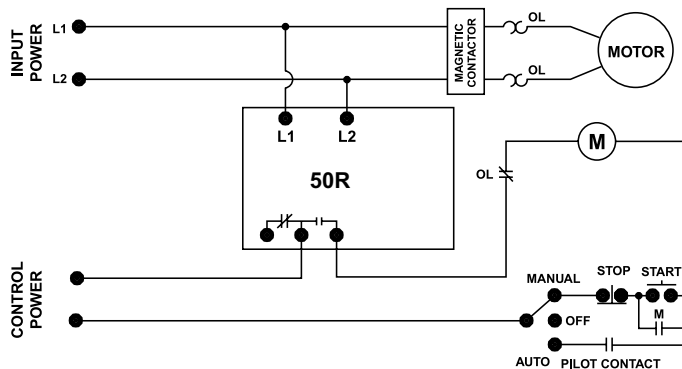
Ordering Information

MODEL	LINE VOLTAGE	DESCRIPTION
50R-100	95–120 V ac	Fixed trip and restart delay
50R-100-2	95–120 V ac	Fixed trip and variable restart delay (manual, 2–300 s)
50R200	190–240 V ac	Fixed trip and restart delay
50R2002	190–240 V ac	Fixed trip and variable restart delay (manual, 2–300 s)
50R2003	190–240 V ac	Fixed restart and variable trip delay (2–30 s)
50R20029	190–240 V ac	Fixed trip and variable restart delay (manual, 2–300 s) plus high voltage detection
50R400	380–480 V ac	Fixed trip and restart delay
50R4002	380–480 V ac	Fixed trip and variable restart delay (manual, 2–300 s)
50R4003	380–480 V ac	Fixed restart and variable trip delay (2–30 s)
50R40029	380–480 V ac	Fixed trip and variable restart delay (manual, 2–300 s) plus high voltage detection

Dimensions Inches (mm)



Wiring Diagram



Disclaimer Notice – Information furnished is believed to be accurate and reliable. However, users should independently evaluate the suitability of and test each product selected for their own applications. Littelfuse products are not designed for, and may not be used in, all applications. Read complete Disclaimer Notice at www.littelfuse.com/product-disclaimer.