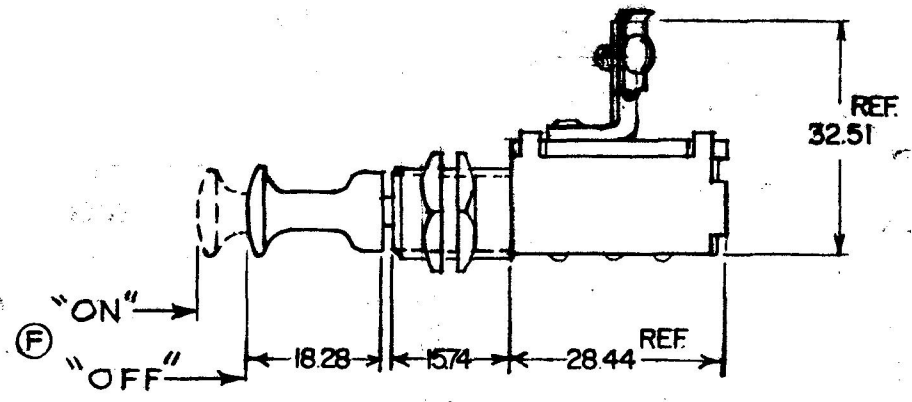
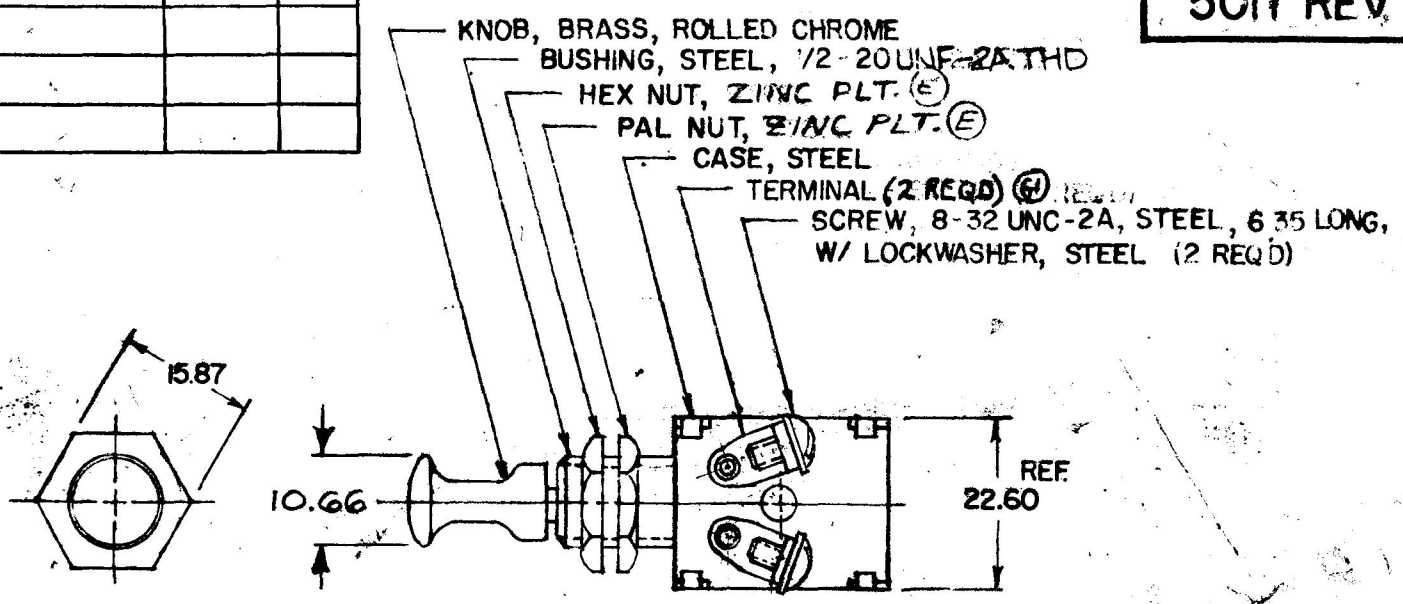


COLE-HERSEE CO.

MM IN
 .25 .010
 6.35 .250
 10.06 .400
 15.74 .620
 18.78 .750
 22.60 .890
 28.44 1.120
 32.51 1.280

5011 REV.

SEQ.	DEPT.	OPERATING INSTRUCTIONS	DIE	MACH.



METRIC

NOTE:
 (G) ALL STEEL PARTS PLATED INO PLT. W/

DO NOT SCALE

LET	WAS	DATE	BY	LET	WAS	DATE	BY	MATERIAL	DRAWN	CHECKED	APPR'D.	SCALE	DATE DRAWN
									EHD	1-31-79		1:1	2-19-59
								STEEL					
								FINISH					
								TOLERANCES	COLE-HERSEE COMPANY BOSTON, MASS. 02127, U.S.A.				DATE BLUEPRINT
								FRACTIONAL ±					PUSH-PULL SWITCH
								DECIMAL ± .25					

SPAULDING CO., INC.