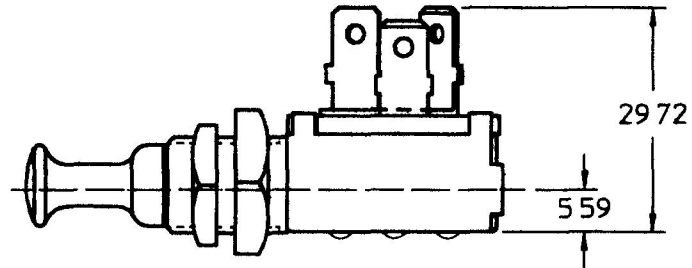
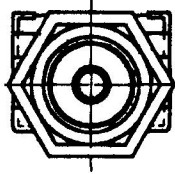
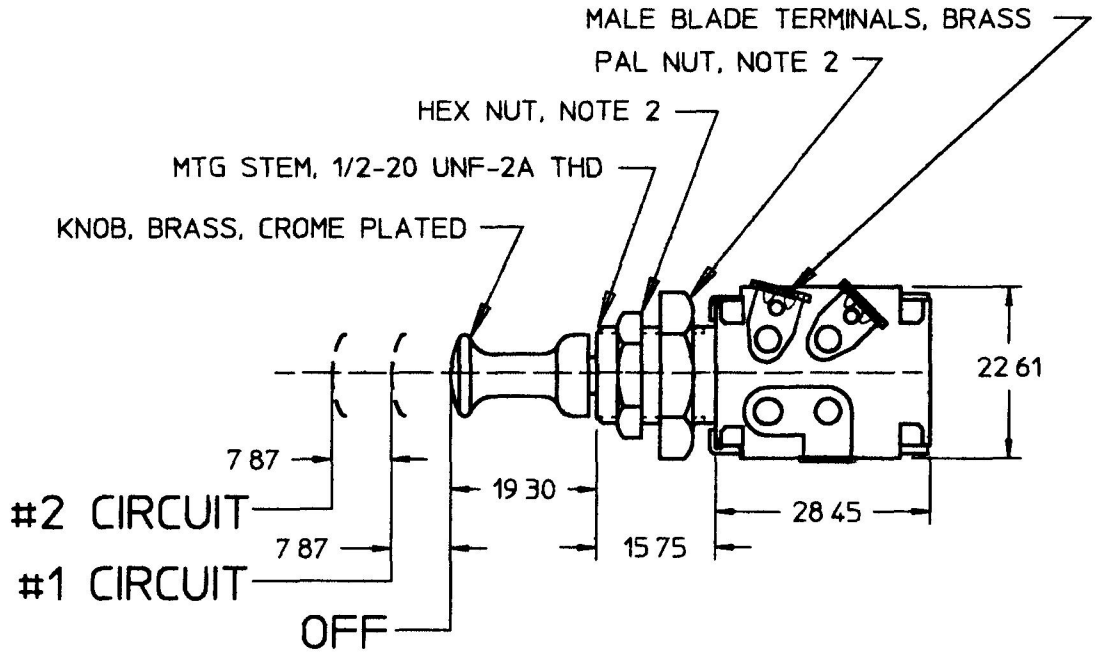


50082

	MM	IN
5	59	0 220
7	87	0 310
15	75	0 620
19	30	0 760
22	61	0 890
28	45	1 120
29	72	1 170



NOTE  
 1 ALL STEEL PARTS PLATED  
 2 PARTS MAY BE ASSEMBLED  
 OR SUPPLIED IN A BAG  
 3 RATING 10 AMPS @ 12 V

METRIC

DO NOT SCALE

LET	WAS	DATE	BY	LET	WAS	DATE	BY	MATERIAL	DRAWN	CHK	APVD	SCALE	DATE DRAWN
									EA	JMP		11	10/21/65
								FINISH	<b>Cole Hersee Co.</b> 20 OLD COLONY AVENUE, BOSTON, MA, U.S.A. 02127				DATE BLUEPRINTED
				E	PUT ON CAD ECN #26936	8/14/97	AJS	TOLERANCES DECIMAL ± ANGLE ±	SW, P-P, 3POS				50082