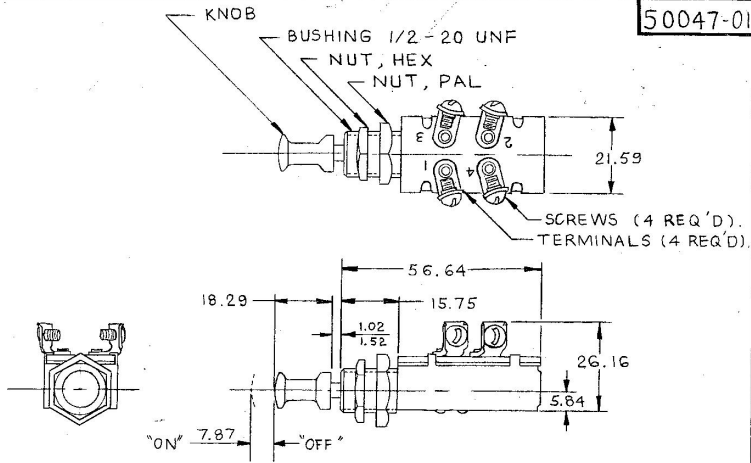


MM IN  
 1.02 .040  
 1.52 .060  
 5.84 .230  
 7.87 .310  
 5.75 .220  
 8.29 .320  
 1.59 .060  
 6.16 .240  
 6.64 .260

50047-01



NOTE:  
 Ⓢ I. ALL STEEL PARTS PLATED.

METRIC

DO NOT SCALE

LET.	WAS	DATE	BY	LET	WAS	DATE	BY	MATERIAL	DRAWN	CHECKED	APPROVD	SCALE	DATE DRAWN
								#	CW	AF		1:1	9-12-68
								FINISH NOTED	 <small>1200 FIFTH AVE. NEW YORK, N.Y. 10017</small>				DATE BLUEPRINT
								TOLERANCES DECIMAL ± METRIC ±.25					SW. PUSH-PULL D.P.S.T.