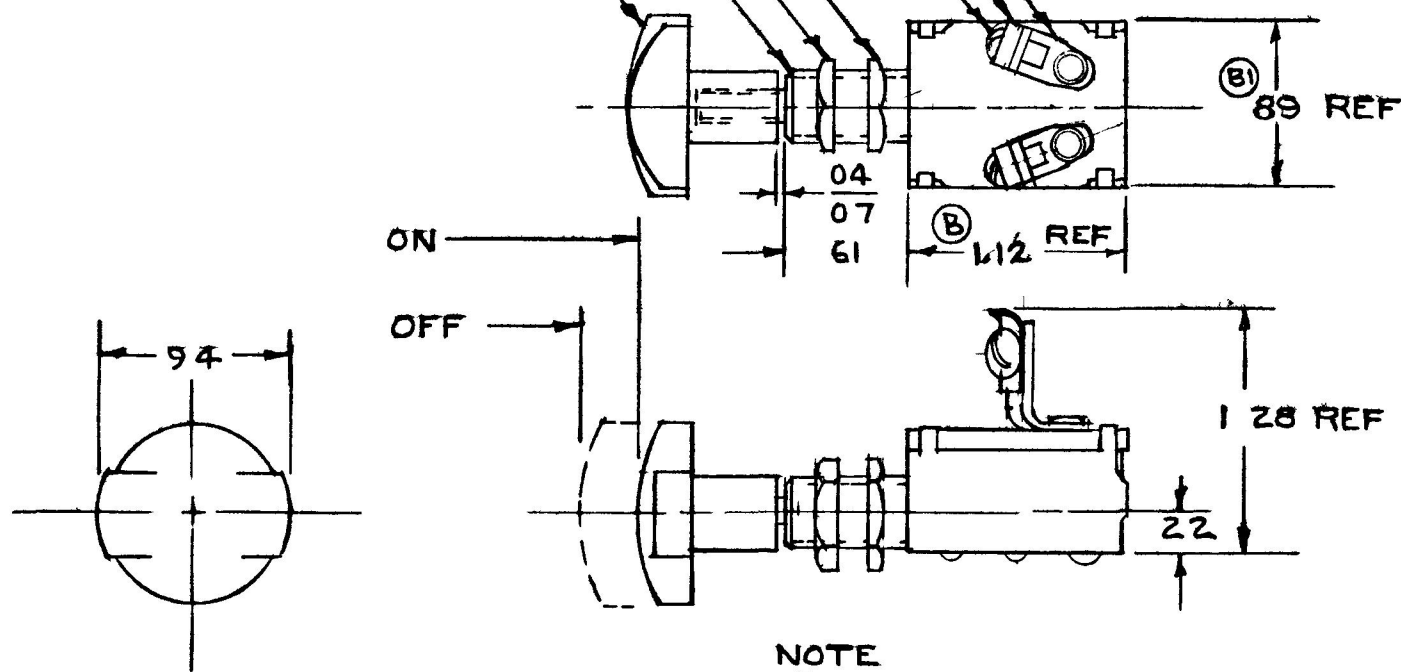


50046

- 8163 KNOB - CELLULOSE ACETATE
- BUSHING - ALUM $\frac{3}{8}$ -32 UNEF ZA
- 8311 A HEX NUT - STEEL - NICKEL PLATE
- 8502 PAL NUT - STEEL

- 5410 SCREW #8 32 X $\frac{1}{4}$
- 3017-B L' WASHER - STEEL
- TERMINAL (E)



NOTE
 (C) ALL STEEL PARTS PLATED

10 AMPS @ 12 VDC

DO NOT SCALE

LE	AS	DATE	AS	DATE	TE	WN	APP	SCA	WN
			E	ECN # 99282	6/30/99	AS	EA LPG	1=1	3-9-60
			D	CAD 2/INC 2/25239	10/22/92	TJH	COLE HERSEE COMPANY ST SS 02127		
			C	8311 18554	3-20-78	68			
			B1	113 88 17578	1-11-72	RF	PUSH-PULL SWITCH 50046		
			A	REDRAWN 16796	10-6-69	VH			

COLE-HERSEE CO