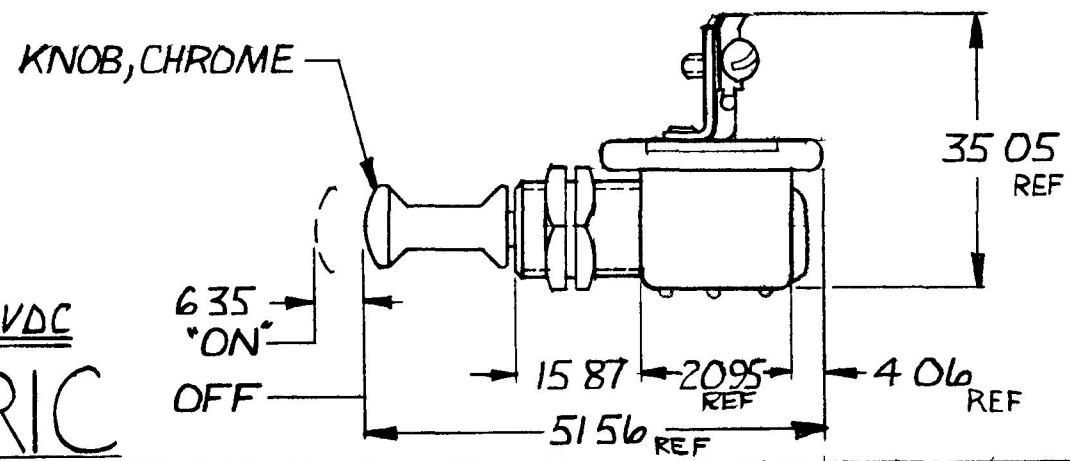
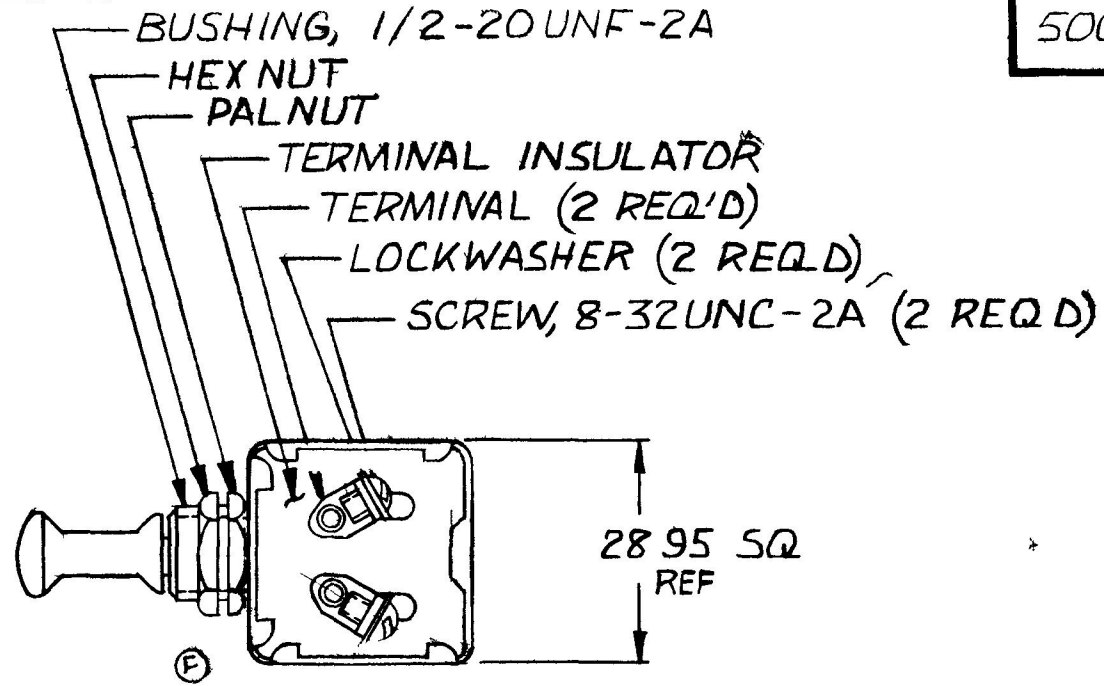


25 010  
 4 06 120  
 6 75 250  
 15 87 625  
 20 95 825  
 23 95 140  
 35 05 380  
 51 56 2030

50002



20 AMPS @ 12VDC  
**METRIC**

NOTE  
 1 SILVERED CONTACT SURFACES  
 2 ALL STEEL PARTS PLATED  
 3 ALL PARTS MUST BE ASSEMBLED DO NOT SCALE

LET	WAS	DATE	BY	LET	WAS	DATE	BY	MATERIAL	W	PPRV	SC LE	DATE DRAWN		
								H	PJB	826-80	11	1-20-53		
								FINISH	 Cole Hersee Co. <small>ON SOU BO ON MA</small>			DATE BLUEPRINT		
				G	E N #99724	5/11/54	RF							
				F	ECN 27164 ADD CUTOUTS	2/23/58	JH							
				E	REDRAWN	8 2 81	(K)	TOLERANCES DECIMAL ± METRIC ± .25	PUSH-PULL SWITCH			50002		

CH 188(4 78)