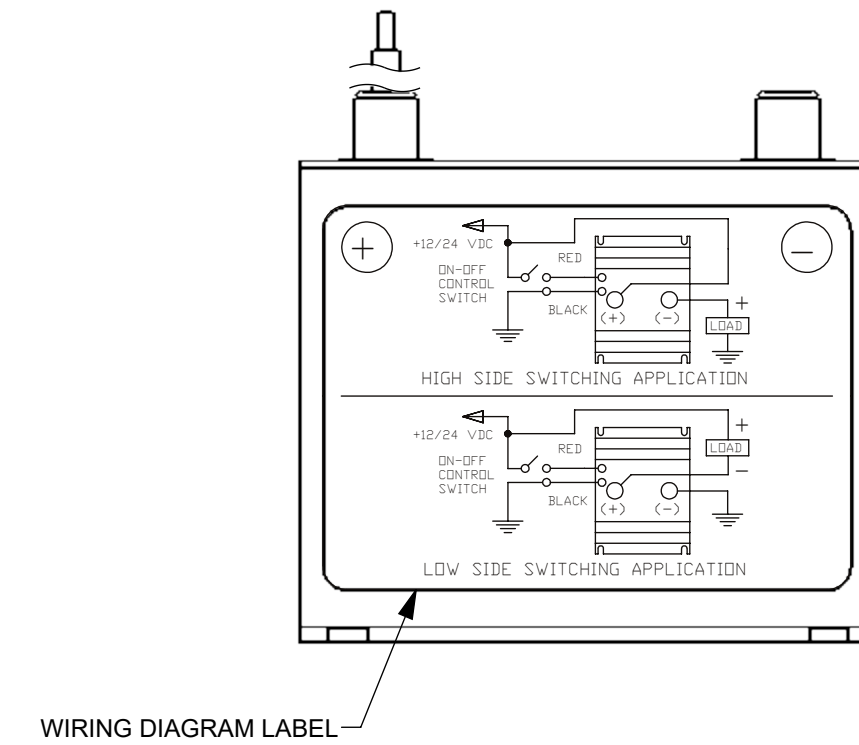
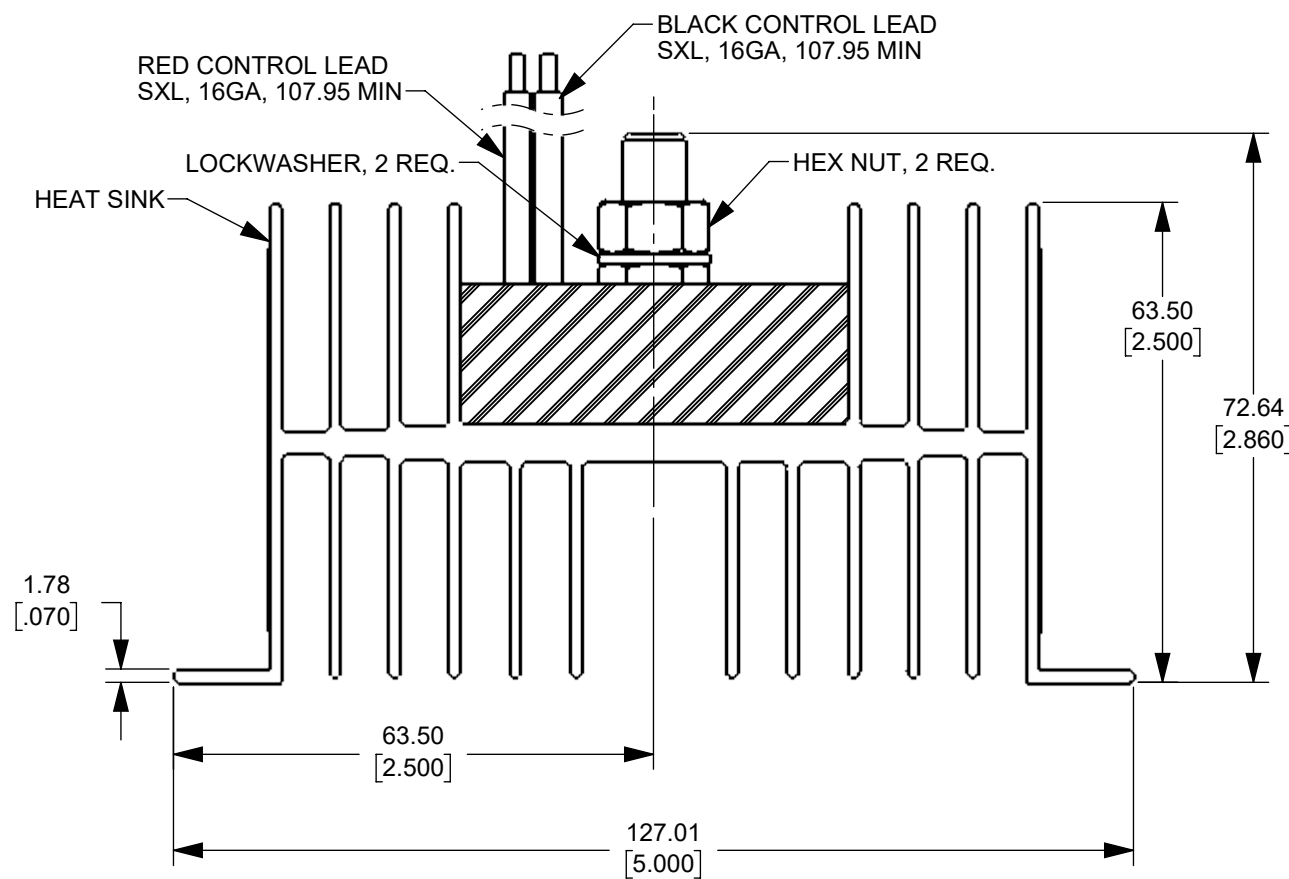
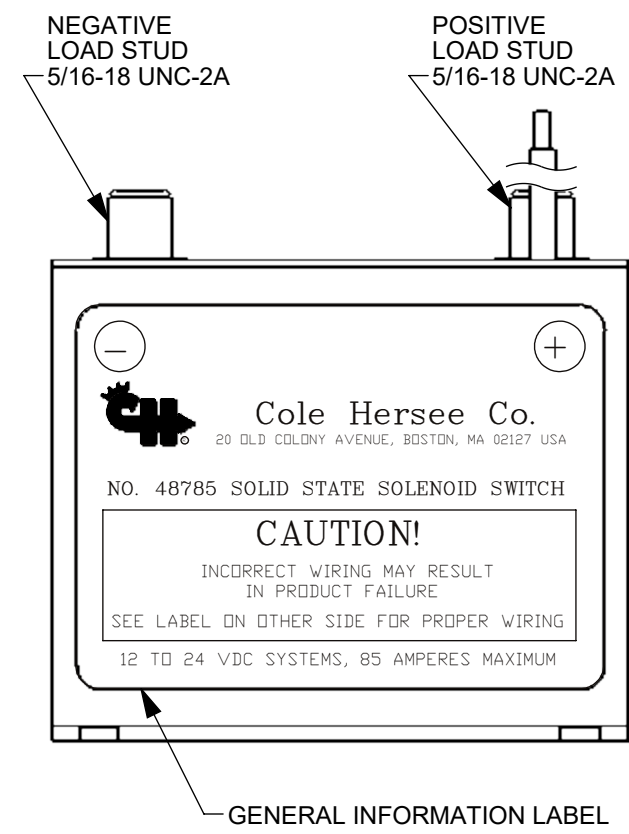
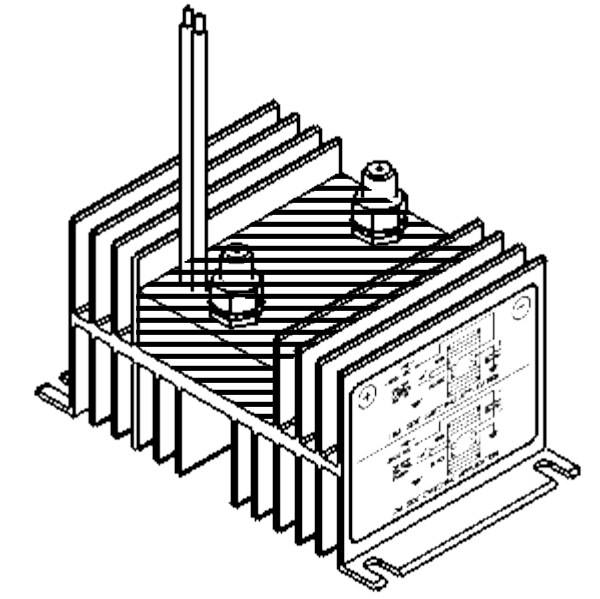
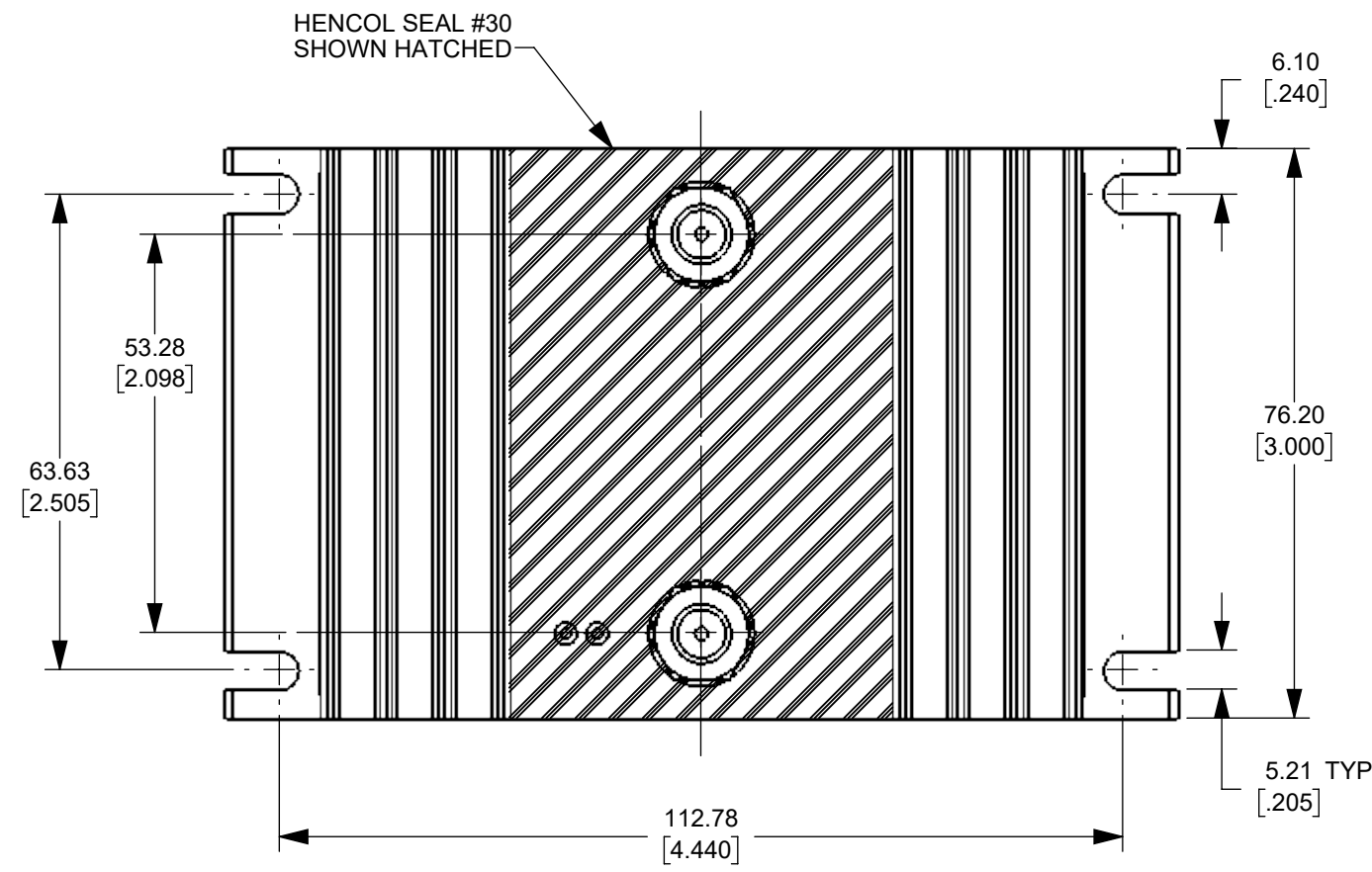


REVISIONS				
ZONE	REV.	DESCRIPTION	DATE	APPROVED
	A	ECN# 00024	TY 1/14/2020	
	B	ECO #523271 - ADD SPECIFICATION NOTE RELATED TO ADD STICK LABEL & WHITE BOX PACKAGING	2/10/2021	S CASTILLO



- NOTES:
- ALL STEEL PARTS ARE PLATED.
  - ALL DIMENSIONS ARE REFERENCE ONLY.
  - PACK SOLENOID IN WHITE BOX CA-531 AND STICK LABEL 663 (PROP. 65) IN BOX.

DIMENSIONS ARE SHOWN IN MILLIMETERS. DIMENSIONS AND TOLERANCES ARE DEFINED ACCORDING TO ANSI/ASME Y14.5-1994.						
●	FIT/ FUNCTION CRITICAL CHARACTERISTICS SYMBOL					
<S>	SAFETY/ COMPLIANCE CRITICAL CHARACTERISTICS SYMBOL					
CPK	DENOTES CPK DIMENSIONS MINIMUM CPK VALUE					
(ST)	DENOTES A CHARACTERISTIC THAT PROVIDES AN INDICATION OF PROCESS PERFORMANCE PROCEDURE FOR MEASUREMENT AND TRACKING TO BE DEFINED IN LITTELFUSE INSPECTION INSTRUCTIONS					
CP	DENOTES CP DIMENSIONS - MINIMUM CP VALUE MUST BE WITHIN THE DIMENSIONAL LIMITATIONS SHOWN ON DRAWING AND INITIALLY LOCATED TO ALLOW FOR MAXIMUM TOOL LIFE					
TOLERANCES UNLESS OTHERWISE SPECIFIED (REF ISO2768-M) FOR METAL, REF SPI PLASTICS						
DIMENSION MM	UP TO 0.5 - 3	OVER 3 - 6	OVER 6 - 30	OVER 30 - 120	OVER 120 - 400	ANGLE
TOLERANCES	±0.1	±0.1	±0.2	±0.3	±0.5	±0.5°
NAME	DATE					
DRAWN TY	09/14/99					
CHECKED	-					
FORM NO: CVP-PE40-0005 REV A						
THIRD ANGLE PROJECTION						
DO NOT SCALE DRAWING		SCALE 1:1			SHEET 1 OF 1	

MM [INCH]



TITLE SOLID STATE SOLENOID

SIZE C DWG. NO. 48785 REV. B