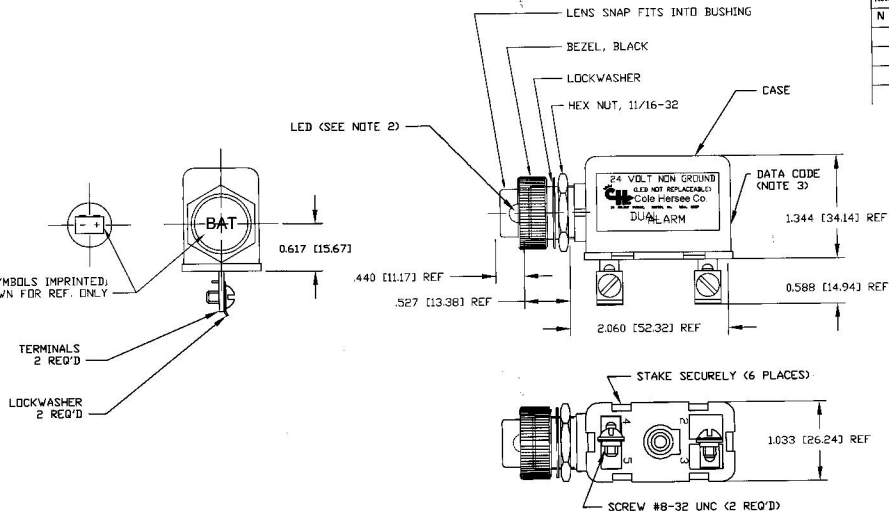


Revision Control Record

Rev.	Description of Change	ECN No.	Date
N	NOTE CHANGE	01826	1/24/01



24 VOLTS

- NOTES:
 1 ALL STEEL PARTS PLATED
 2 LED NOT REPLACEABLE
 3 MARK CASE AT RANDOM LOCATION AS TO WEEK & YEAR OF MANUFACTURE

PART NO	LENS COLOR	IMPRINT	IMPRINT COLOR
4124-RD002	RED	LOW AIR	BLACK
4124-RD001	RED	DIL WATER	WHITE
4124-RD000	RED	---	---

Tolerances: Unless otherwise specifically noted, the following are to be used:
 • 3/16" Decimals: Dimensions in .00"
 • 3/16" Decimals: Dimensions in .005"
 • Angular Dimensions: in 1/32"
 • Holes: Refer to equipment English Dimensional Tolerances
 • See NOTE 1. All tolerances are Minus-unless otherwise specified.

Dimensional Code: All dimensions are expressed in inches except those shown in brackets (M) are expressed in millimeters.

REF: See Appendix A, when Dimensional Tolerance Dimensional values for manufacturing purposes only.

Used On or Ref: Scale: 1:1

REGULATORY INFORMATION: This Engineering Drawing, and the associated Control Plan, is proprietary to Cole Hersee Company and shall not be disclosed, retransmitted, or in any way copy, transferred or disseminated to any other party without the express written consent of an authorized representative of Cole Hersee Company.

REGULATORY COMPLIANCE: It is the responsibility of the individual using/altering this Drawing to ensure that the noted design features and specifications are met in accordance with the applicable regulatory requirements. This is a public-use drawing and is not intended to be used for regulatory compliance purposes.

See NOTE 2 - Dimensional tolerances may occur during printing/ reproduction.

Drawn By: RNT Date Drawn: 3/22/89

Key for Special Characteristics:

- ⊕ Critical Characteristic: Involving Safety and/or Regulatory Compliance
- ⊠ Significant Characteristics relating to Process Control (SPC)
- ⊞ Critical Characteristics relating to Form - Fit - Function as defined by Cole Hersee Company and/or the Customer.

(Note that the identification of any Characteristics as being "Critical" does not alter the requirement that ALL specified dimensions & tolerances must be met.)

Responsible Engineer: NA Pg. 1 of 1

Cole Hersee Co.
 30 Old Colony Ave., South Boston, MA, 02127
 Phone: 617-266-2100 Web: www.colehersee.com

DUAL ALARM 24V

Customer Ref. No.: **4124**

Customer Ref.: **N**