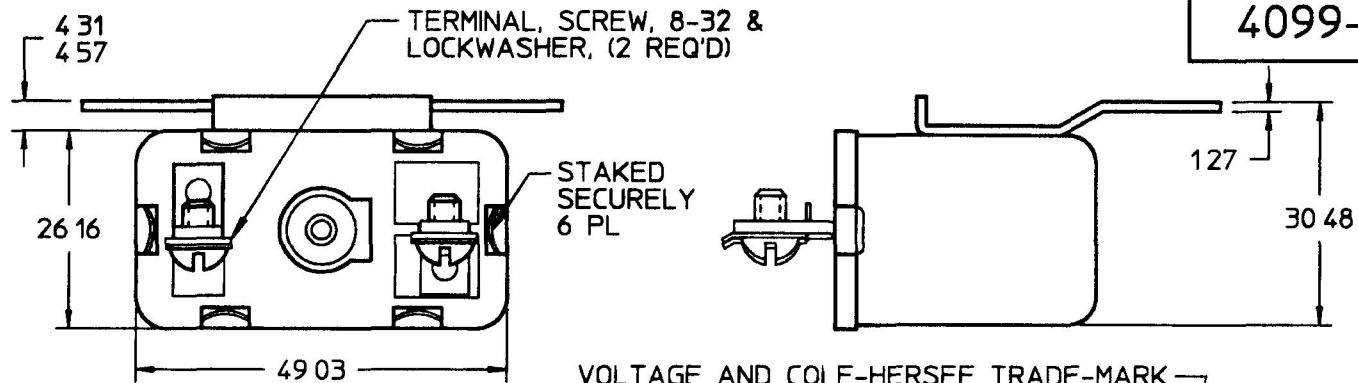


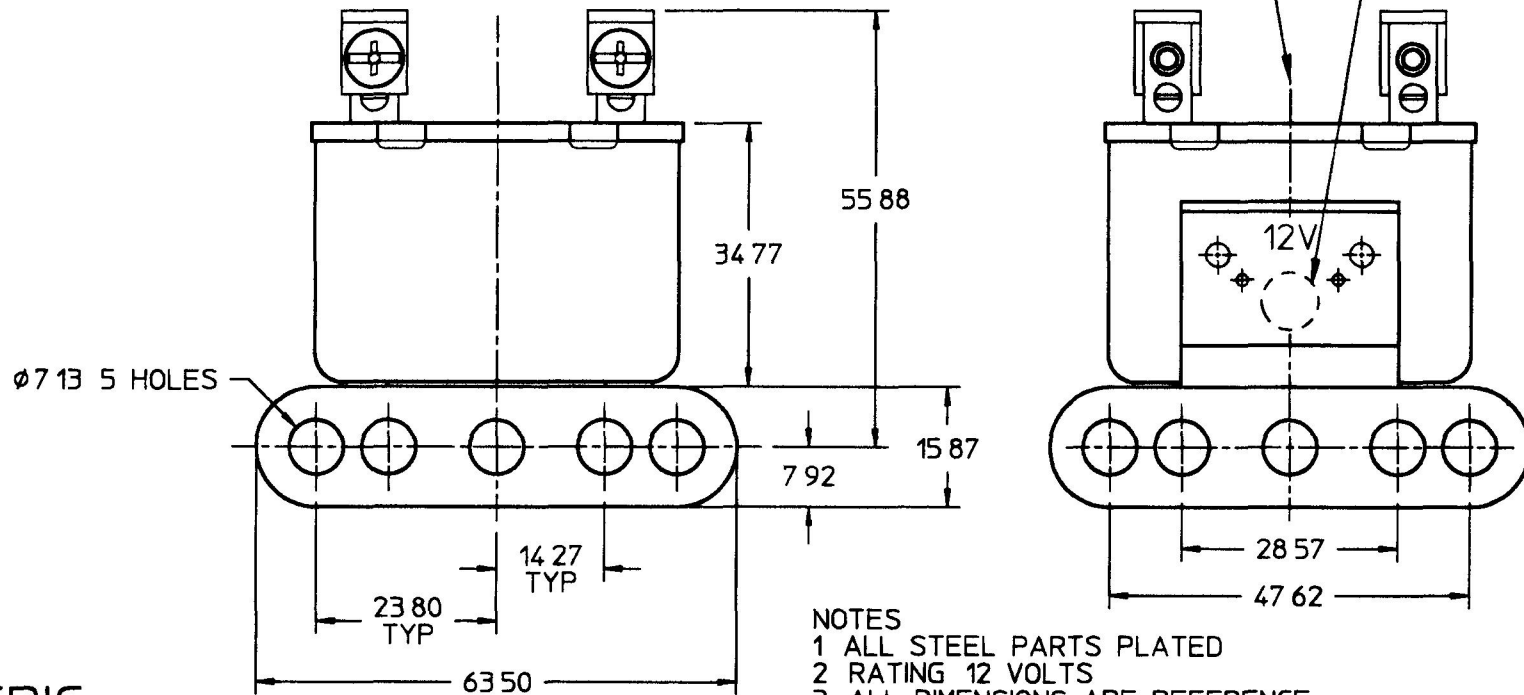
	MM	IN
1	27	0 050
4	31	0 170
4	57	0 180
7	13	0 281
7	92	0 312
14	27	0 562
15	87	0 625
23	80	0 937
26	16	1 030
28	57	1 125
30	48	1 200
34	29	1 350
47	62	1 875
49	03	1 930
55	88	2 200
63	50	2 500



4099-11

VOLTAGE AND COLE-HERSEE TRADE-MARK METAL STAMPED APPROX AS SHOWN

CENTERLINE OF BRACKET AND CENTERLINE OF CAN CENTERED WITHIN 0.787



- NOTES
- 1 ALL STEEL PARTS PLATED
  - 2 RATING 12 VOLTS
  - 3 ALL DIMENSIONS ARE REFERENCE UNLESS OTHERWISE SPECIFIED

METRIC

DO NOT SCALE

LET	WAS	DATE	BY	LET	WAS	DATE	BY	MATERIAL	DRAWN	CHK	APVD	SCALE	DATE DRAWN
									MB	<i>[Signature]</i>		11	4/25/95
								FINISH	<b>Cole Hersee Co.</b> 20 OLD COLONY AVENUE, BOSTON, MA, U.S.A., 02127				DATE BLUEPRINTED
								TOLERANCES	<b>SW, BUZZER, 12V</b>				4099-11
					ISSUED	5/1/95	AF	DECIMAL ± ANGLE ±					