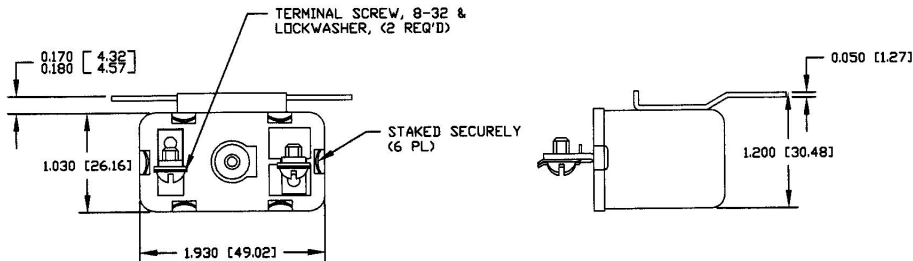
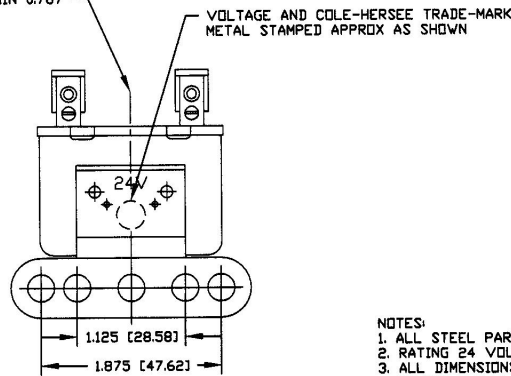
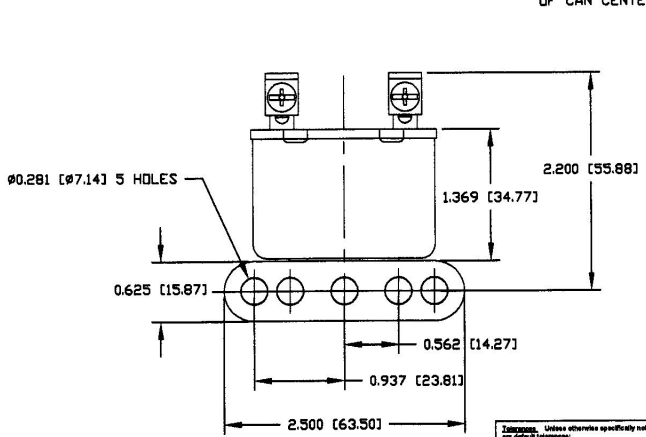


Revision Control Record

Rev.	Description of Change	ECN No.	Date
A	BOM CHANGE	05374	09/21/05



CENTERLINE OF BRACKET AND CENTERLINE OF CAN CENTERED WITHIN 0.787



- NOTES:  
 1. ALL STEEL PARTS PLATED  
 2. RATING 24 VOLTS  
 3. ALL DIMENSIONS ARE REFERENCE UNLESS OTHERWISE SPECIFIED

**Tolerances:** Unless otherwise specifically noted, the following are default Tolerances:  
 \* Surface Defined Dimensions  $\pm .02"$   
 \* Spatial Defined Dimensions  $\pm .005"$   
 \* Angular Dimensions  $\pm 1.0 \text{ Deg.}$   
 \* Holes: Refer to equivalent English Dimensional Tolerances  
 Note: All tolerances are Non-Cumulative, unless otherwise noted.

**Dimensional Units:** All dimensions are expressed in inches except those shown in brackets (mm) are expressed in millimeters.

**WELDED ASSEMBLY:** A Non-Toleranced Reference Dimension, shown for identification purposes only.

Used On: **EX26339** Scale: **1:1**

**PROPRIETARY INFORMATION:** This Engineering Drawing, and the information contained herein, is proprietary to Cole Hersee Company and may not be disclosed, reproduced, or in any other way transmitted or disseminated to any other party without the express written consent of an authorized representative of Cole Hersee Company.

**DESIGN CONTROL:** It is the responsibility of the individual using/reviewing this drawing to assure that the latest design revision level agrees with the revision level of the associated Document (Master Drawing). This is a NON-CONTROLLED DOCUMENT unless otherwise specifically noted.

**DO NOT SCALE:** Dimensional variation may occur during printing/reproduction.

Drawn By: **MB** Date Drawn: **06/03/96**

**Special Characteristics:**

- ⊕ Critical Characteristics, relating to Safety and/or Regulatory Compliance
- ⊗ Significant Characteristics relating to Process Control (SPC)
- Ⓢ Control Dimension relating to Form - Fit - Function as defined by Cole Hersee Company and the Customer

Note that the identification of any Characteristics as being "Special" does not alter the requirement that ALL specified dimensions & tolerances must be met.

Responsible Engineer: **NA** Pg. 1 of 1

**Cole Hersee Co.**  
 30 Old Colony Ave., South Boston, MA, 02127  
 Phone 617-868-8100 Web www.colehersee.com

Description: **SW BUZZER, 24V**

Drawing/Part No.: **40151-03**

**A**