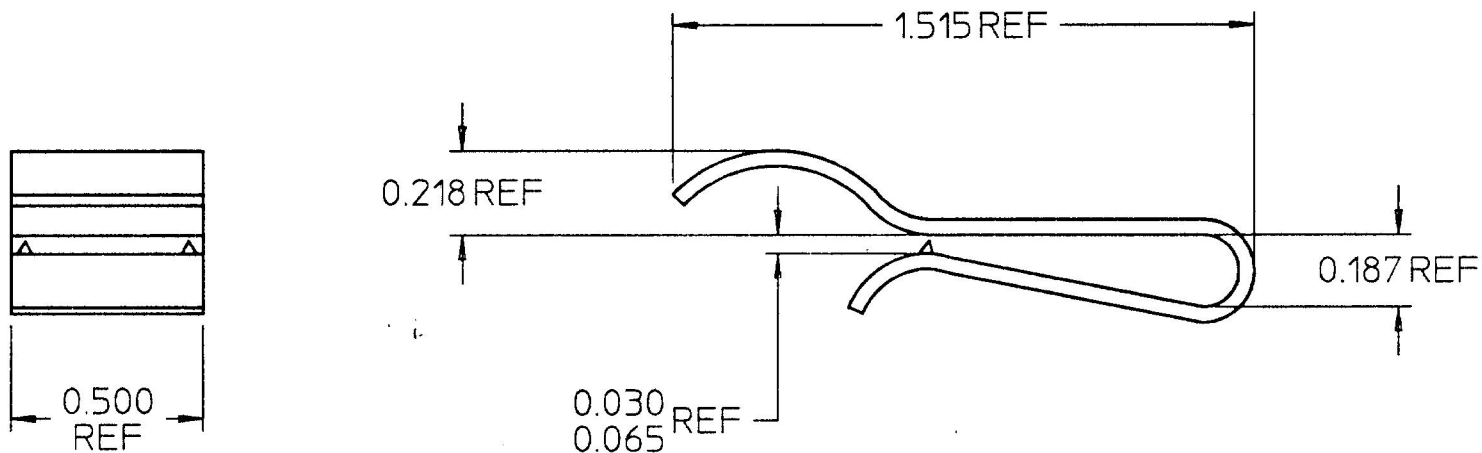



3118



- NOTES:
 (D) 1. MATERIAL: 0.038/0.042 THK #1050 STEEL
 2. FINISH: DRY PARKERIZE # K4500
 3. VENDOR: CARR HS-99104

DO NOT SCALE

| LET. | WAS | DATE | BY | LET. | WAS | DATE | BY | MATERIAL | DRAWN | CHK | APVD | SCALE | DATE DRAWN |
|------|-----|------|----|------|---------------------------|---------|----|--|--|-----|------|-------|------------------|
| | | | | | | | | NOTED | RP | AY | | 2:1 | 8/17/45 |
| | | | | | | | | FINISH NOTED |  Cole Hersee Co. 20 OLD COLONY AVENUE, BOSTON, MA., U.S.A., 02127 | | | | DATE BLUEPRINTED |
| | | | | | | | | TOLERANCES DECIMAL ± 0.005 ANGLE ± | CLIP WIRING | | | | 3118 |
| | | | | D | ECN # 25952 PUT ON CAD | 9/11/95 | MB | | | | | | |