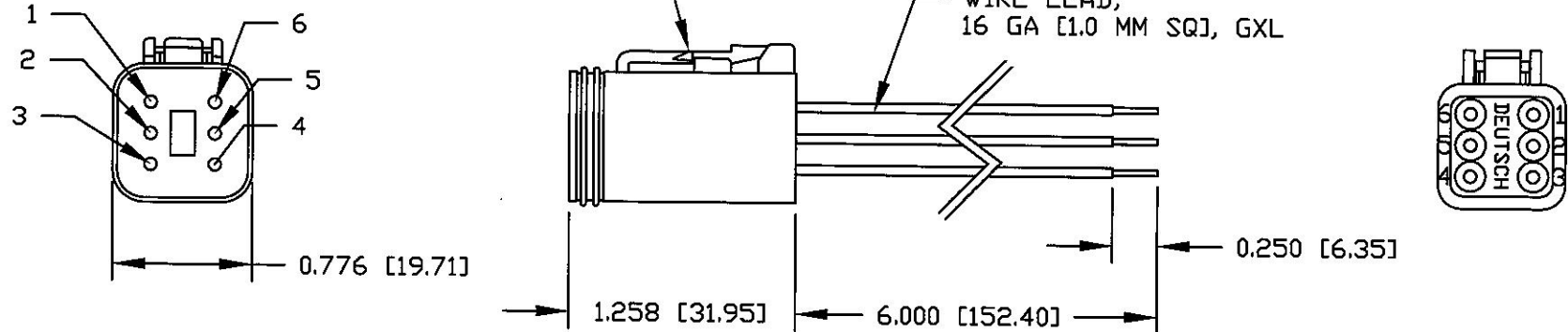


Revision Control Record

| Rev. | Description of Change | ECN No. | Date |
|------|------------------------------|---------|----------|
| A | RELEASED DRAWING | 07351 | 8/17/07 |
| B | EXPANDED LEGEND, TEXT & VIEW | 08439 | 08/21/08 |
| | | | |
| | | | |

CONNECTOR, PLUG, DEUTSCH DT06-6S,
 TERMINAL, DEUTSCH 0462-201-16141,
 WEGDE, DEUTSCH W6S



| LEGEND | | WHEN USED WITH OUR 95060 SERIES KEY SWITCHES | |
|--------|------------------------|--|-----------|
| 6 | RED | 6 | BATTERY |
| 5 | PURPLE | 5 | IGNITION |
| 4 | PURPLE | 4 | IGNITION |
| 3 | ORANGE | 3 | ACCESSORY |
| 2 | YELLOW WITH RED STRIPE | 2 | START |
| 1 | RED | 1 | BATTERY |
| PIN | COLOR | PIN | CIRCUIT |

NOTES:
 1. ALL DIMENSIONS ARE REFERENCE ONLY

Tolerances Unless otherwise specifically noted, the following are default tolerances:
2-places +/- 0.02"
3-places +/- 0.005"
Angular +/- 1'
 Metric: Shown in [] refers to equivalent English Dim Tol
 "REF." or an Asterisk (*) = Non-Toleranced Reference Dimension, shown for clarification purposes only.
 NOTE: All tolerances are Non-Cumulative.

PROPRIETARY INFORMATION
 This Engineering Drawing, and the information contained herein, is proprietary to Cole Hersee Company and may not be disclosed, re-produced, or in any other way transferred or communicated to any other party without the express written consent of an authorized representative of Cole Hersee Company.

- Special Characteristics:**
- Critical Characteristic, relating to Safety and/or Regulatory Compliance
 - Significant Characteristic relating to Process Control
 - Control Dimension relating to Form - Fit - Function as defined by Cole Hersee Company and/or the Customer

Cole Hersee Co.
 20 Old Colony Ave., South Boston, MA, 02127
 Phn: 617-268-2100 Web: www.colehersee.com

Description:
CONN, M, 6P, DEUTSCH