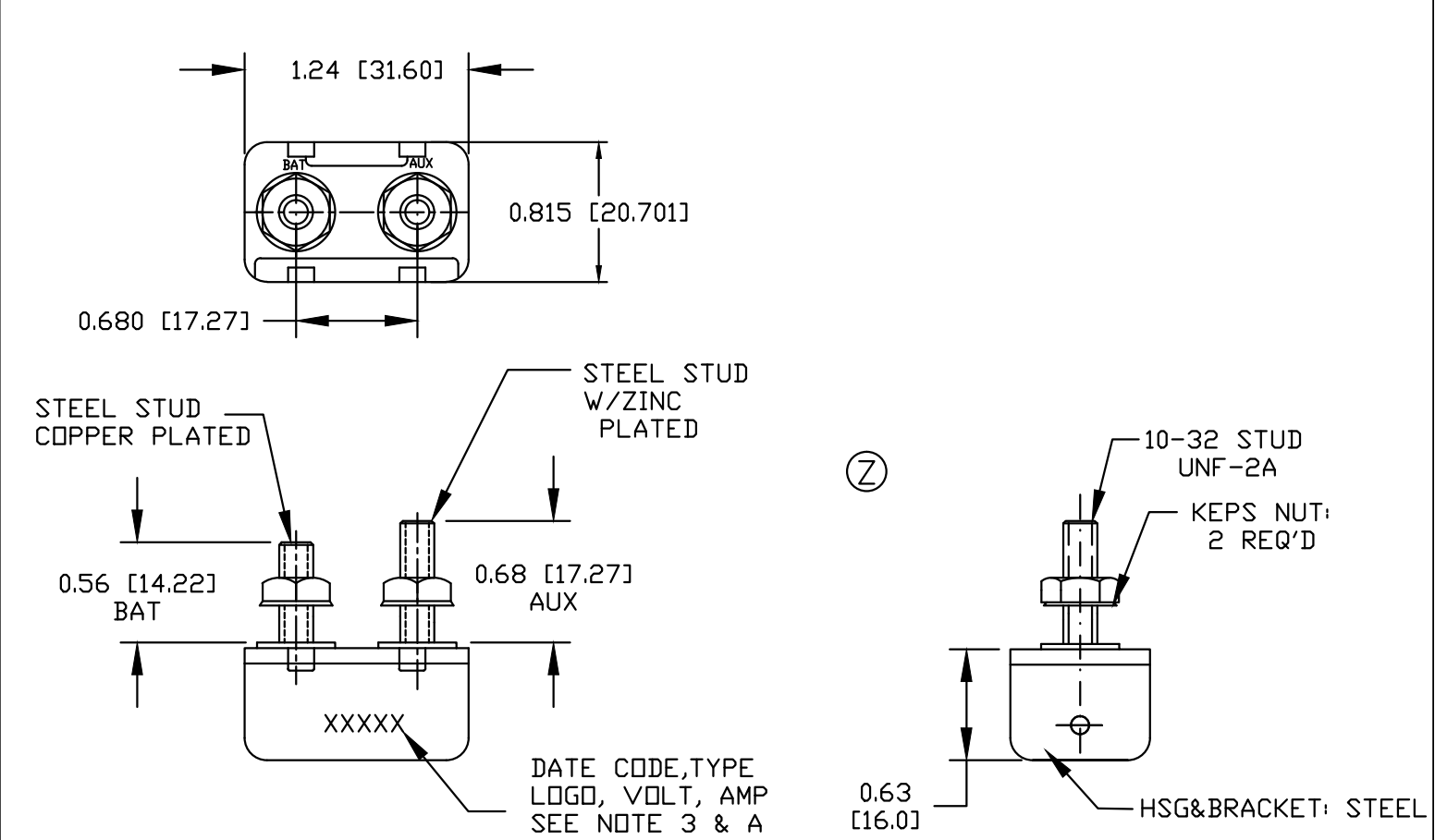
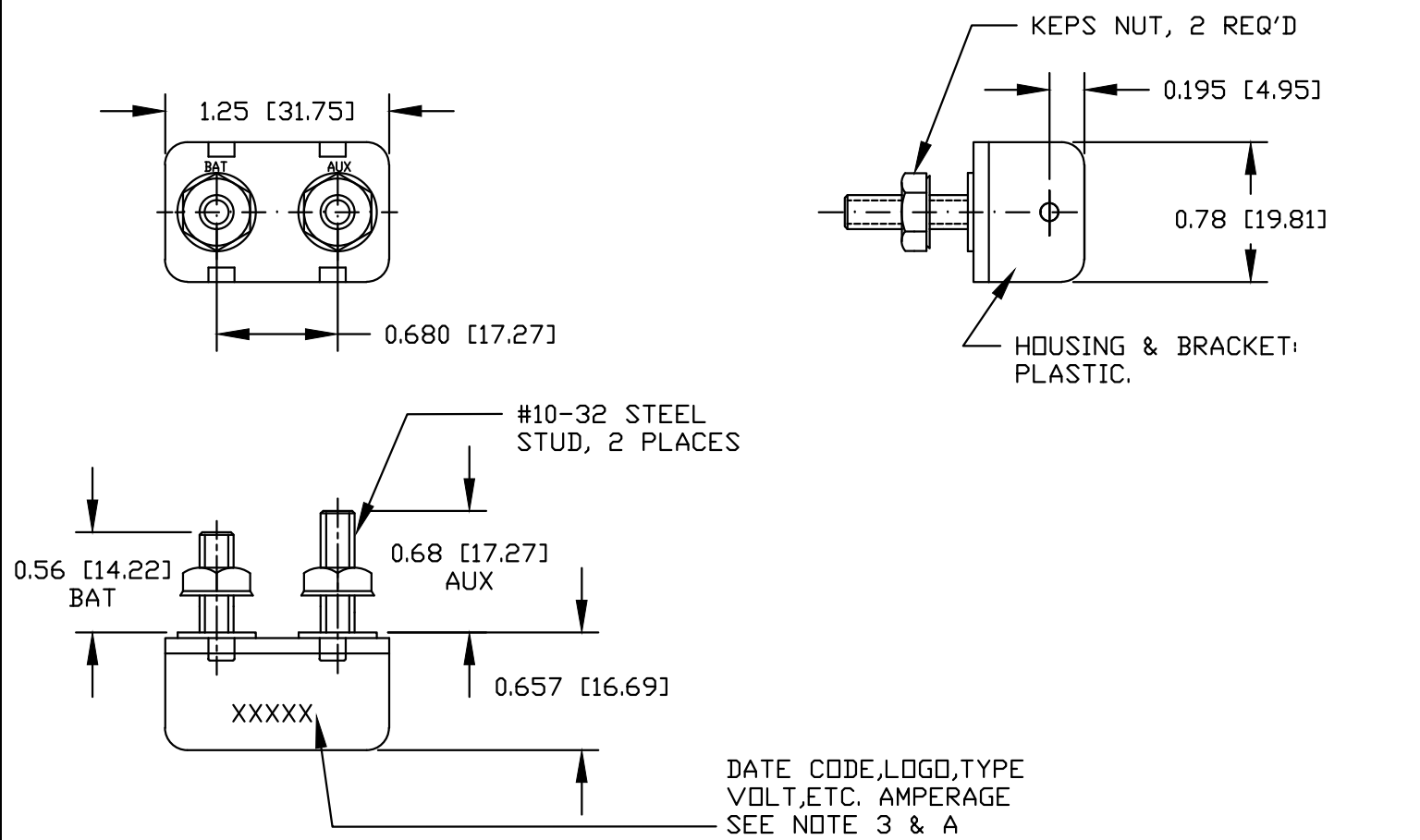


TRADITIONAL CONSTRUCTION

ALTERNATE CONSTRUCTION

A METAL HOUSING WITH STEEL STUDS

B METAL HOUSING, COPPER & STEEL STUD



TYPE OF CIRCUIT BREAKERS

TYPE 1:
CYCLING CIRCUIT BREAKER

- NOTES:
1. ALL STEEL PARTS PLATED
 2. ALL DIMENSIONS ARE REFERENCE ONLY
 3. LOGO AMPERAGE, VOLTAGE, TYPE & DATE CODE STAMPED LEGIBLY ON CASE SIDE
 4. CIRCUIT BREAKER MEETS SAE J553 JUN 88
 5. METAL HOUSING IS STEEL W/ZINC YELLOW DICHROMATE OR CLEAR ZINC.
 6. HARDWARE: STEEL, ZINC PLATED
 7. COLE HERSEE/LITTELFUSE MAY SUPPLY EITHER CONSTRUCTION-TYPE A OR TYPE B.

- ADDITIONAL NOTES:
- A) STAMP COLE HERSEE LOGO & DATE CODE AS TO WEEK & YEAR OF MANUFACTURE

Revision Control Record				Revision Control Record				Tolerances Unless otherwise specifically noted, the following are default tolerances: * 2-place Decimal Dimensions +/- .02" * 3-place Decimal Dimensions +/- .005" * Angular Dimensions +/- 1.0 Deg. * Metric: Refer to equivalent English Dimension Tolerance >>> NOTE: All tolerances are Non-Cumulative. <<<	PROPRIETARY INFORMATION This Engineering Drawing, and the information contained herein, is proprietary to Cole Hersee Company and may not be disclosed, re-produced, or in any other way transferred or communicated to any other party without the express written consent of an authorized representative of Cole Hersee Company.	Key for Special Characteristics: CC Critical Characteristic, relating to Safety and/or Regulatory Compliance X Significant Characteristic relating to Process Control (SPC) CD Control Dimension relating to Form - Fit - Function as defined by Cole Hersee Company and/or the Customer (Note that the identification of any Characteristics as being "Special" does not alter the requirement that ALL specified dimensions & tolerances must be met.)	Cole Hersee Co. 20 Old Colony Ave., South Boston, MA, 02127 Phn: 617-268-2100 Web: www.colehersee.com		
Rev.	Description of Change	ECN No.	Date	Rev.	Description of Change	ECN No.	Date						
Z	CHANGE NOTE	11288	09/29/14										
Dimensional Units All dimensions are expressed in inches except those shown in brackets (xxx) are expressed in millimeters "REF." or an Asterisk (*) = Non-Toleranced Reference Dimension, shown for clarification purposes only.				"REF." or an Asterisk (*) = Non-Toleranced Reference Dimension, shown for clarification purposes only.				DESIGN CONTROL It is the responsibility of the individual using / referencing this drawing to assure that the noted design revision level agrees with the revision level of the Controlled Document (Master Drawing). This is a NON-CONTROLLED DOCUMENT unless otherwise specifically noted.	DO NOT SCALE - Dimensional variation may occur during printing / reproduction.	(Note that the identification of any Characteristics as being "Special" does not alter the requirement that ALL specified dimensions & tolerances must be met.)	Description: CIRCUIT BREAKER, 24 V		
Used On or Ref.:				Scale: 2:1				Drawn By: CM	Date Drawn: 08/15/14	Responsible Engineer: N/A	Pg. 1 of 2	Drawing / Part No.: 30171 SERIES CHART	Current Rev. Z