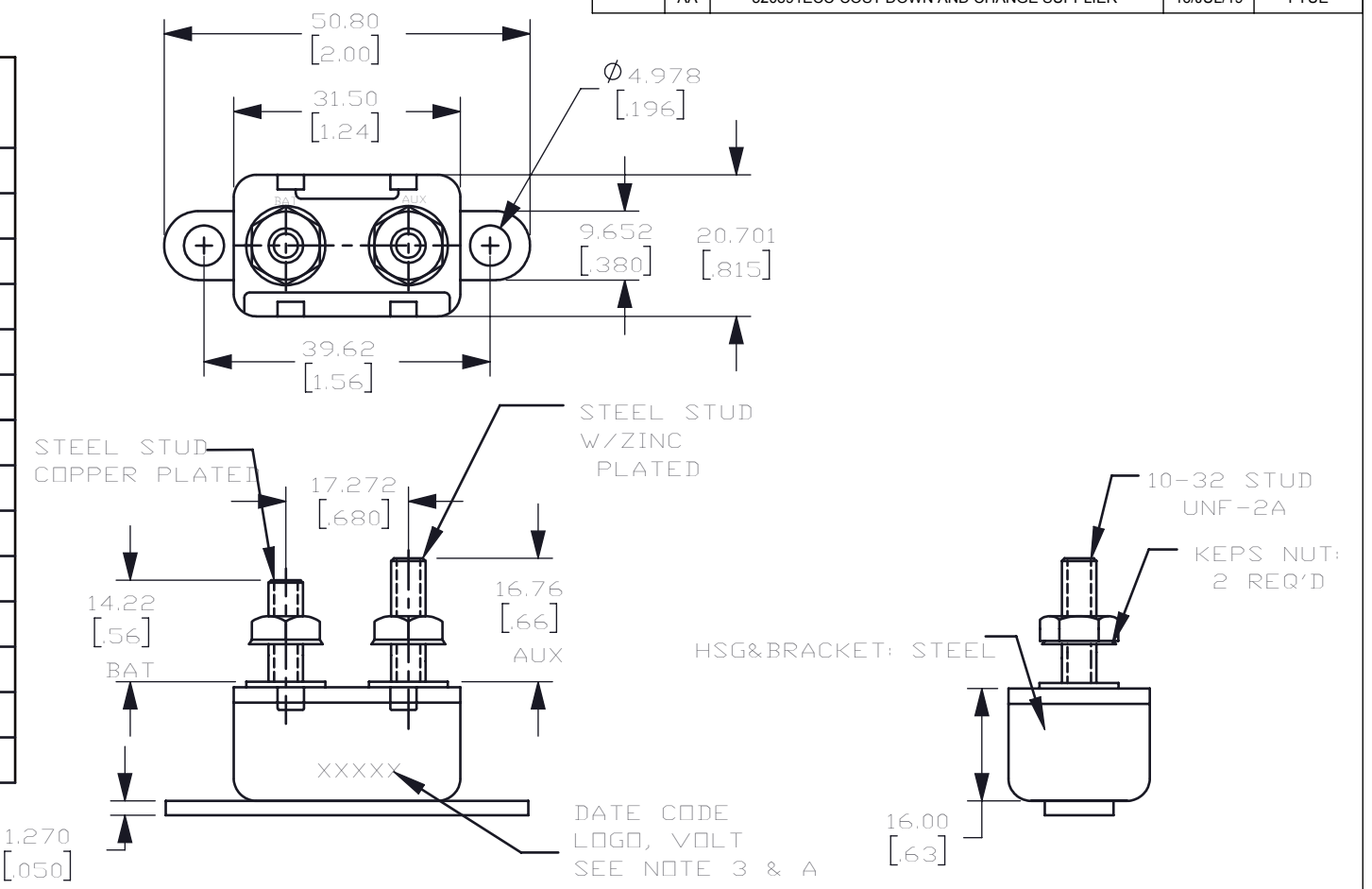


THIS DRAWING AND THE INFORMATION CONTAINED WITHIN IT ARE CONFIDENTIAL AND MAY NOT BE COPIED OR DISCLOSED WITHOUT THE WRITTEN PERMISSION OF LITTELFUSE.

| REVISIONS | | | | |
|-----------|------|---|-----------|----------|
| ZONE | REV. | DESCRIPTION | DATE | APPROVED |
| | AA | 520891ECC-COST DOWN AND CHANGE SUPPLIER | 16/JUL/19 | FYUE |

| PT NO | AMPS | VOLTS | TYPE | HSG | BAT STUD | AUX STUD | BRKT | SEAL | NOTE |
|-----------|------|-------|------|-------|----------|----------|------|------|-------------|
| 30055-50 | 50 | 12 | 1 | METAL | 14.22 | 17.27 | YES | NONE | HARDWARE |
| 30055-40 | 40 | 12 | 1 | METAL | 14.22 | 17.27 | YES | NONE | HARDWARE |
| 30055-30 | 30 | 12 | 1 | METAL | 14.22 | 17.27 | YES | NONE | HARDWARE |
| 30055-25 | 25 | 12 | 1 | METAL | 14.22 | 17.27 | YES | NONE | HARDWARE |
| 30055-20 | 20 | 12 | 1 | METAL | 14.22 | 17.27 | YES | NONE | HARDWARE |
| 30055-15 | 15 | 12 | 1 | METAL | 14.22 | 17.27 | YES | NONE | HARDWARE |
| 30055-10 | 10 | 12 | 1 | METAL | 14.22 | 17.27 | YES | NONE | HARDWARE |
| P30055-50 | 50 | 12 | 1 | METAL | 14.22 | 17.27 | YES | NONE | NO HARDWARE |
| P30055-40 | 40 | 12 | 1 | METAL | 14.22 | 17.27 | YES | NONE | NO HARDWARE |
| P30055-30 | 30 | 12 | 1 | METAL | 14.22 | 17.27 | YES | NONE | NO HARDWARE |
| P30055-25 | 25 | 12 | 1 | METAL | 14.22 | 17.27 | YES | NONE | NO HARDWARE |
| P30055-20 | 20 | 12 | 1 | METAL | 14.22 | 17.27 | YES | NONE | NO HARDWARE |
| P30055-15 | 15 | 12 | 1 | METAL | 14.22 | 17.27 | YES | NONE | NO HARDWARE |
| P30055-10 | 10 | 12 | 1 | METAL | 14.22 | 17.27 | YES | NONE | NO HARDWARE |



TYPE OF CIRCUIT BREAKERS

TYPE 1:
CYCLING CIRCUIT BREAKER

- NOTES:
1. ALL STEEL PARTS PLATED
 2. ALL DIMENSIONS ARE REFERENCE ONLY
 3. LOGO, AMPERAGE & VOLTAGE, TYPE AND DATE CODE STAMPED LEGIBLY ON CASE SIDE
 4. CIRCUIT BREAKER MEETS SAE J553 JUL 2016
 5. METAL HOUSING IS STEEL W/ZINC YELLOW DICHROMATE OR CLEAR ZINC.
 6. HARDWARE: STEEL, ZINC PLATED

ADDITIONAL NOTES:

A) STAMP LITTELFUSE LOGO & DATE CODE AS TO WEEK & YEAR OF MANUFACTURE

| NO. | COMPONENT NO. | COMPONENT NAME | QTY | U |
|---|--|----------------|--------------|---|
| DIMENSIONS ARE SHOWN IN MILLIMETERS. DIMENSIONS AND TOLERANCES ARE DEFINED ACCORDING TO ANSI/ASME Y14.5-1994. | | | | |
| ● | FIT/ FUNCTION CRITICAL CHARACTERISTICS SYMBOL | | | |
| <S> | SAFETY/ COMPLIANCE CRITICAL CHARACTERISTICS SYMBOL | | | |
| CPK | DENOTES CPK DIMENSIONS MINIMUM CPK VALUE | | | |
| ST | DENOTES A CHARACTERISTIC THAT PROVIDES AN INDICATION OF PROCESS PERFORMANCE PROCEDURE FOR MEASUREMENT AND TRACKING TO BE DEFINED IN LITTELFUSE INSPECTION INSTRUCTIONS | | | |
| CP | DENOTES CP DIMENSIONS, -MINIMUM CP VALUE MUST BE WITHIN THE DIMENSIONAL LIMITATIONS SHOWN ON DRAWING AND INITIALLY LOCATED TO ALLOW FOR MAXIMUM TOOL LIFE | | | |
| TOLERANCES UNLESS OTHERWISE SPECIFIED ONE PLACE DECIMAL ± 0.5 THREE PLACES DECIMAL ± 0.100 TWO PLACES DECIMAL ± 0.20 ANGULAR ± 2° | | | | |
| DRAWN | FYUE | 16 JUL 2019 | | |
| CHECKED | FYUE | 16 JUL 2019 | | |
| | - | - | | |
| | - | - | | |
| THIRD ANGLE PROJECTION | | | | |
| | | | | |
| DO NOT SCALE DRAWING | | SCALE 2:1 | SHEET 1 OF 1 | |

Littelfuse
Expertise Applied | Answers Delivered

TITLE
CIRCUIT BREAKER, 12 V, T1

| | | |
|------|--------------------|------|
| SIZE | DWG. NO. | REV. |
| B | 30055 SERIES CHART | AA |