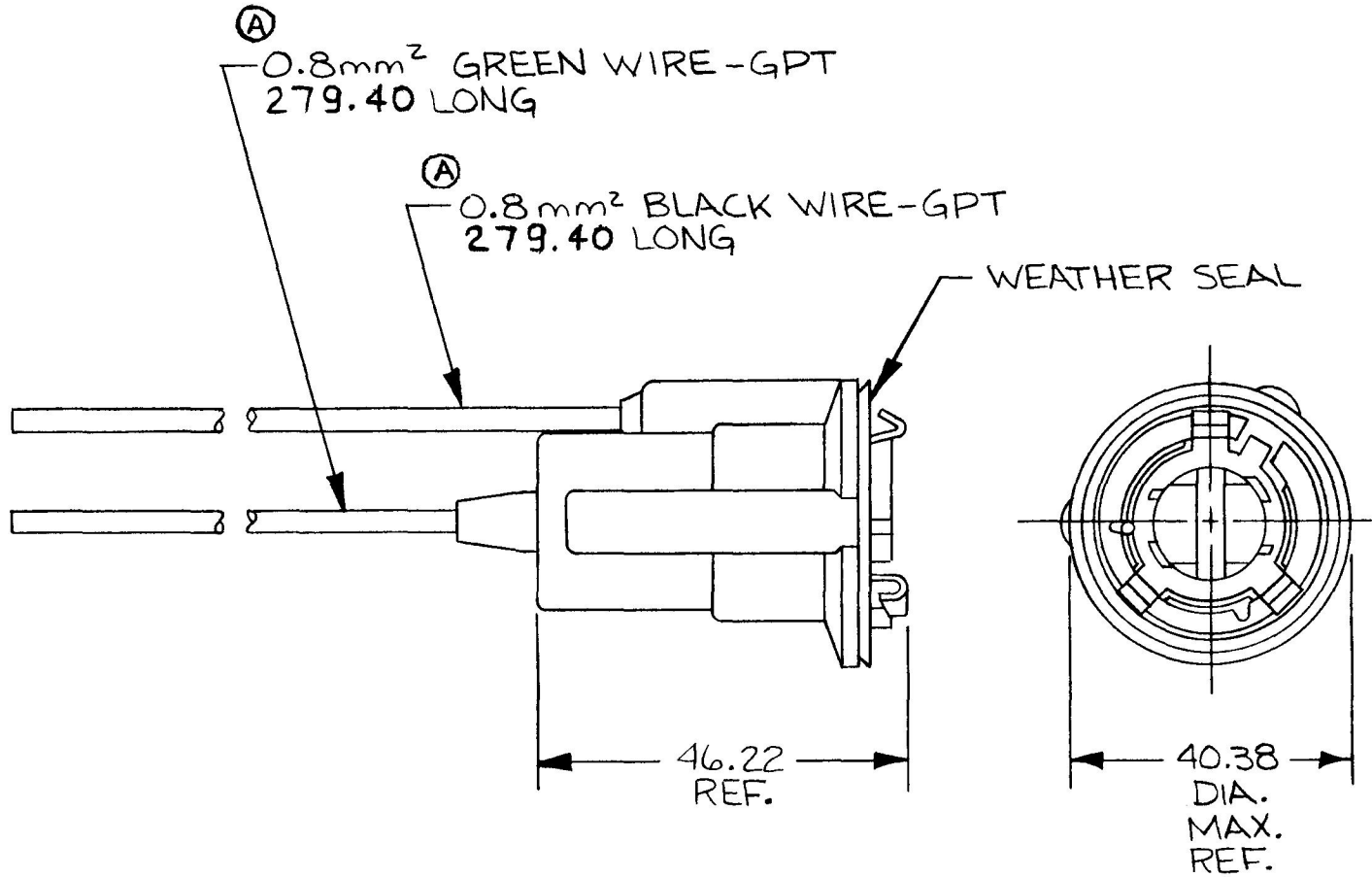



MM	IN
40.38	1.59
46.22	1.82
279.40	11.00
0.8mm	18GA

26145



METRIC

DO NOT SCALE

LET.	WAS	DATE	BY	LET.	WAS	DATE	BY	MATERIAL	DRAWN	CHECKED	APPRV'D.	SCALE	DATE DRAWN
								<i>H</i>	<i>LIZ</i>	<i>AF</i>		1:1	9-25-87
								FINISH <i>H</i>	 Cole Hersee Co. <small>20 OLD COLONY AVENUE SOUTH BOSTON, MA, U.S.A. 02127</small>				DATE BLUEPRINT
				A	ECN# 98237	4/4/98	ML	TOLERANCES DECIMAL ± METRIC ±					LAMP SOCKET, S.C.
					ISSUED	10/20/87	AF						

CH-188(4-78)