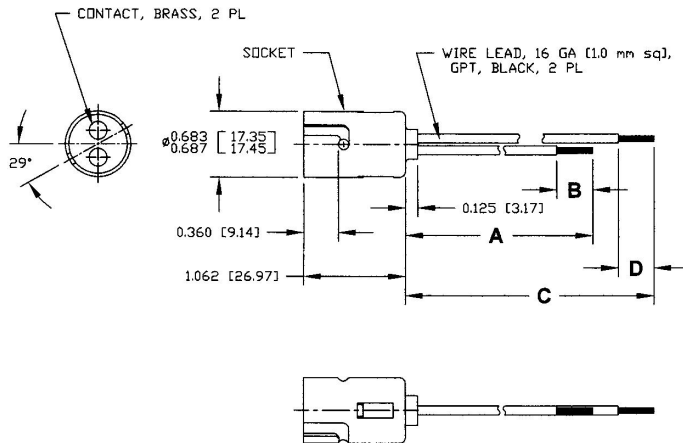


## Revision Control Record

Rev.	Description of Change	ECN No.	Date
K	REVISED DRAWING	03730	12/9/03



## NOTES:

1. ALL STEEL PARTS PLATED
2. ALL DIMENSIONS ARE REFERENCE ONLY UNLESS NOTED OTHERWISE
3. SOCKET ACCEPTS BA15d BASE BULB (DOUBLE CONTACT BAYONET BULB)

2602-H	9.000 [228.60]	0.375 [9.52]	15.000 [381.00]	0.375 [9.52]
2602-G	9.000 [228.60]	0.375 [9.52]	25.000 [635.00]	0.375 [9.52]
2602-F	10.000 [254.00]	0.750 [19.05]	24.000 [609.60]	0.250 [6.35]
2602-E	2.625 [66.67]	0.375 [9.52]	2.625 [66.67]	0.375 [9.52]
2602-D	8.531 [216.80]		8.531 [216.80]	
2602-C	12.000 [304.80]	0.375 [9.52]	12.000 [304.80]	0.375 [9.52]
2602-B	6.000 [152.40]	0.375 [9.52]	6.000 [152.40]	0.375 [9.52]
2602-A	8.000 [203.20]		8.000 [203.20]	
2602	8.000 [203.20]	0.375 [9.52]	8.000 [203.20]	0.375 [9.52]
PT NO	A	B	C	D

**Intolerances:** Unless otherwise specifically noted, the following are default Intolerances:  
 \* **Surface Geometric Dimensions**  $\pm 0.25^\circ$   
 \* **Surface Geometric Dimensions**  $\pm 0.25^\circ$   
 \* **Angular Dimensions**  $\pm 1.0$  Deg.  
 \* **Notes:** Refer to equivalent English Dimension Tolerances  
 \*\*\* NOTE: All tolerances are Non-Cumulative, etc.

**Dimensional Units:** All dimensions are expressed in inches unless there is a dimension in millimeters expressed in millimeters

**ASME Y14.5M-2009** - Non-Tolerance Reference Dimension, shown for clarification purposes only.

**Proprietary Information:** This Engineering Drawing, and the information contained herein, is proprietary to Cole Hersee Company and may not be disclosed, reproduced, or in any other way transmitted or communicated to any other party without the express written consent of an authorized representative of Cole Hersee Company.

**General Caution:** It is the responsibility of the individual using this drawing to ensure that the actual design remains level agrees with the revision level of the Controlled Document (Master Drawing). This is a NON-CONTROLLED DOCUMENT unless otherwise specifically noted.

**DO NOT SCALE** - Dimensional relation may occur during printing/ reproduction.

## Special Characteristics...

**⊕** Critical Characteristics, relating to Safety and/or Regulatory Compliance

**Ⓢ** Significant Characteristics relating to Process Control (SPC)

**Ⓢ** Critical Dimension relating to Form, Fit, Function as defined by Cole Hersee Company and/or the Customer.

Note that the identification of any Characteristics as being "Special" does not alter the requirement that ALL specified dimensions & tolerances must be met.



## Cole Hersee Co.

20 Old Colony Ave., South Boston, MA, 02127  
 Phone 617-268-8100 Web: www.colehersee.com

## Description:

LAMP SOCKET, DC

## Drawing/Part No.:

2602-CHART

K

Drawn By: EA

Date Drawn: 4/8/40

Responsible Engineer: NA

Page 1 of 1

Scale: 1:1

Used On or Ref.: