

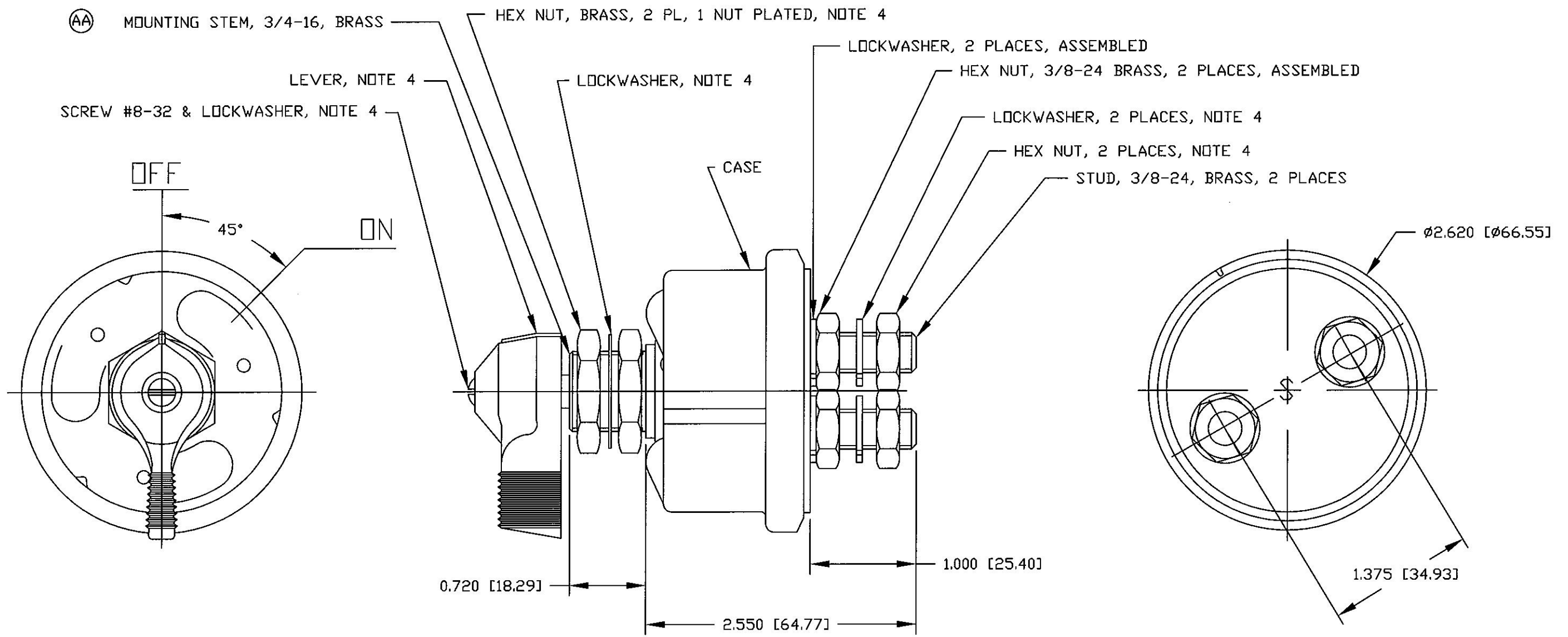
4

3



2

1



NOTES:

- 1. SILVER CONTACT SURFACES
- 2. ALL STEEL PARTS PLATED
- 3. ALL DIMENSIONS REF. ONLY
- 4. PARTS MAY BE ASSEMBLED OR SUPPLIED IN A BAG
- 5. RATING:
CONTINUOUS - 175 AMPS 6-12-24-36 V DC
INTERMITTENT-1000 AMPS MAX 6-12-24-36 V DC 15 SECONDS 'ON' 5 MINUTES 'OFF'
- 6. TORQUE SPECIFICATIONS:
MOUNTING STEM NUTS: 20 FT LBS [27 N.m] MAX
3/8" NUTS 70-90 IN LBS [8-10 N.m]

AA

| Revision Control Record | | | | Rev. | Description of Change | ECN No. | Date | Tolerances Unless otherwise specifically noted, the following are default tolerances: | PROPRIETARY INFORMATION This Engineering Drawing, and the information contained herein, is proprietary to Cole Hersee Company and may not be disclosed, re-produced, or in any other way transferred or communicated to any other party without the express written consent of an authorized representative of Cole Hersee Company. | Special Characteristics: | | Cole Hersee Co. 20 Old Colony Ave., South Boston, MA, 02127 Phn: 617-268-2100 Web: www.colehersee.com | |
|-------------------------|-----------------------|---------|----------|------|-----------------------|---------|--|---|---|--------------------------|---------------------|--|--------------|
| Rev. | Description of Change | ECN No. | Date | | | | 2-places +/- 0.02" 3-places +/- 0.005" Angular +/- 1° Metric: Shown in [] refers to equivalent English Dim Tol "REF." or an Asterisk (*) = Non-Toleranced Reference Dimension, shown for clarification purposes only. NOTE: All tolerances are Non-Cumulative. | <input type="checkbox"/> Critical Characteristic, relating to Safety and/or Regulatory Compliance <input checked="" type="checkbox"/> Significant Characteristic relating to Process Control <input type="checkbox"/> Control Dimension relating to Form - Fit - Function as defined by Cole Hersee Company and/or the Customer | | Description: | Drawing / Part No.: | | Current Rev. |
| AA | REVISED NOTES | 08680 | 11/24/08 | | | | | | | | | SWITCH, MASTER DISCONNECT 2484-A | AA |
| | | | | | | | | FORM CHT-6 (2/07) | Used On or Ref.: | Scale: 1:1 | Drawn BY: PJS | Date Drawn: 12/27/55 | Pg. 1 of 1 |

4

3



2

1