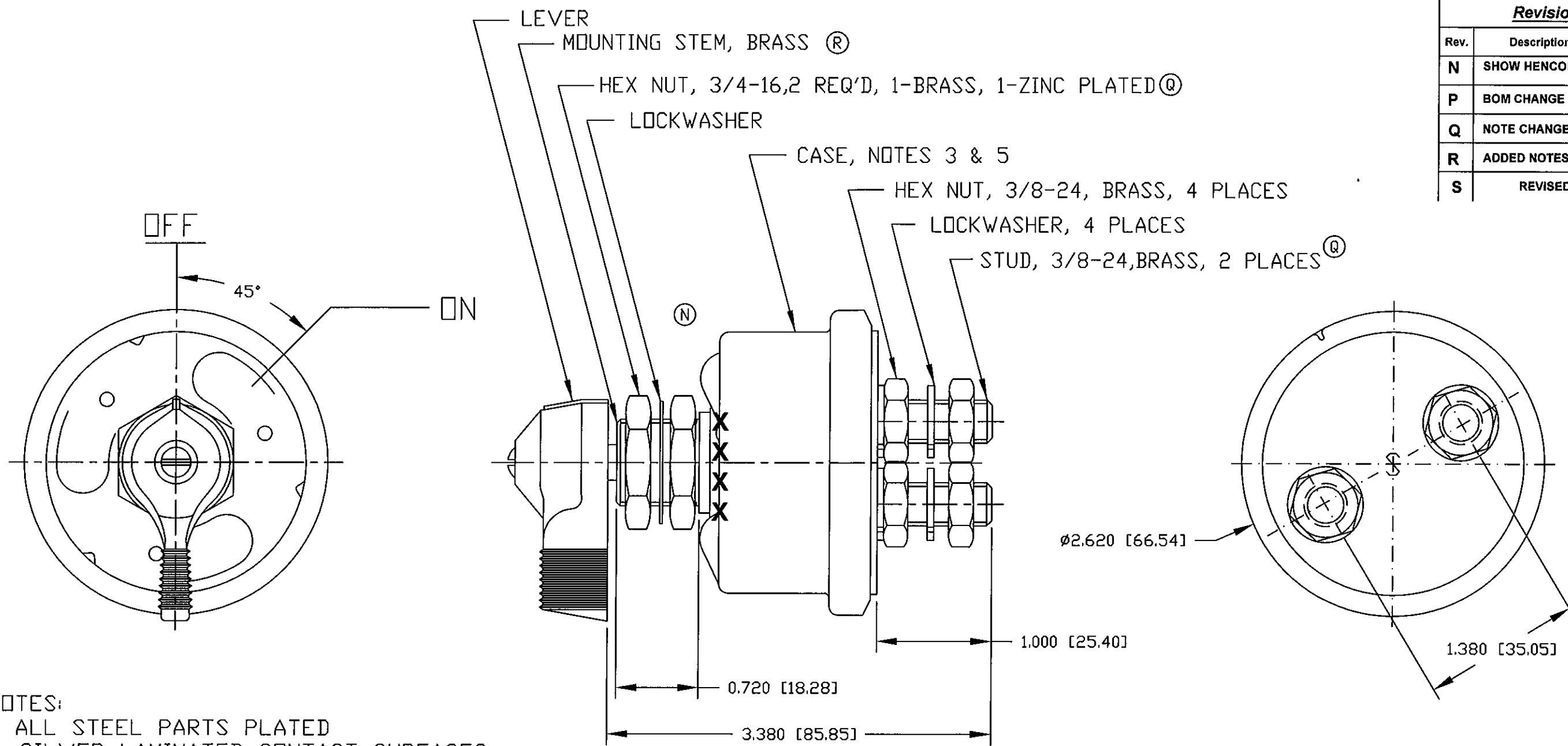


Revision Control Record

Rev.	Description of Change	ECN No.	Date
N	SHOW HENCOL SEAL AREA	02022	01/17/02
P	BOM CHANGE	06365	11/01/06
Q	NOTE CHANGE	07022	02/01/07
R	ADDED NOTES	08680	11/25/08
S	REVISED BOM	10145	4/29/10



NOTES:

1. ALL STEEL PARTS PLATED
2. SILVER LAMINATED CONTACT SURFACES
3. HENCOL SEAL #13 BETWEEN CASE AND MOUNTING STEM
4. O-RING SEAL AT BUSHING
5. GASKET AT TERMINAL INSULATOR
6. ALL DIMENSIONS REF. ONLY
7. TORQUE SPECIFICATIONS:
MOUNTING STEM NUTS: 20 FT LBS [27 N.m] MAX
3/8" NUTS 70-90 IN LBS [8-10 N.m]
8. RATING:
CONTINUOUS: 175 AMPS 6-12-24-36 V DC
INTERMITTENT: 1000 AMPS MAX 6-12-24-36 V DC
15 SECONDS "ON" 5 MINUTES "OFF"

Tolerances Unless otherwise specifically noted, the following are default tolerances:
 * 2-place Decimal Dimensions +/- .02"
 * 3-place Decimal Dimensions +/- .005"
 * Angular Dimensions +/- 1.0 Deg.
 * Metric: Refer to equivalent English Dimension Tolerance
 >>> NOTE: All tolerances are Non-Cumulative. <<<

Dimensional Units All dimensions are expressed in inches except those shown in brackets (xxx) are expressed in millimeters

"REF." or an Asterisk (*) = Non-Toleranced Reference Dimension, shown for clarification purposes only.

Used On 2484-A EXCEPT
or Ref.: HENCOL SEAL EX16841

PROPRIETARY INFORMATION This Engineering Drawing, and the information contained herein, is proprietary to Cole Hersee Company and may not be disclosed, re-produced, or in any other way transferred or communicated to any other party without the express written consent of an authorized representative of Cole Hersee Company.

DESIGN CONTROL It is the responsibility of the individual using/ referencing this drawing to assure that the noted design revision level agrees with the revision level of the Controlled Document (Master Drawing). This is a NON-CONTROLLED DOCUMENT unless otherwise specifically noted.

DO NOT SCALE - Dimensional variation may occur during printing/ reproduction.

Scale: **1:1**
 Drawn **TC**
 Date **05/01/74**
 Drawn:

Key for Special Characteristics:

- CC Critical Characteristic, relating to Safety and/or Regulatory Compliance
- X Significant Characteristic relating to Process Control (SPC)
- CD Control Dimension relating to Form - Fit - Function as defined by Cole Hersee Company and/or the Customer

(Note that the identification of any Characteristics as being "Special" does not alter the requirement that ALL specified dimensions & tolerances must be met.)

Responsible **N/A**
Engineer:
 Pg. 1 of 1

Cole Hersee Co.
 20 Old Colony Ave., South Boston, MA, 02127
 Phn: 617-268-2100 Web: www.colehersee.com

Description: **SWITCH, MASTER DISCONNECT**

Drawing / Part No.: **2484-06**

Current Rev.: **S**