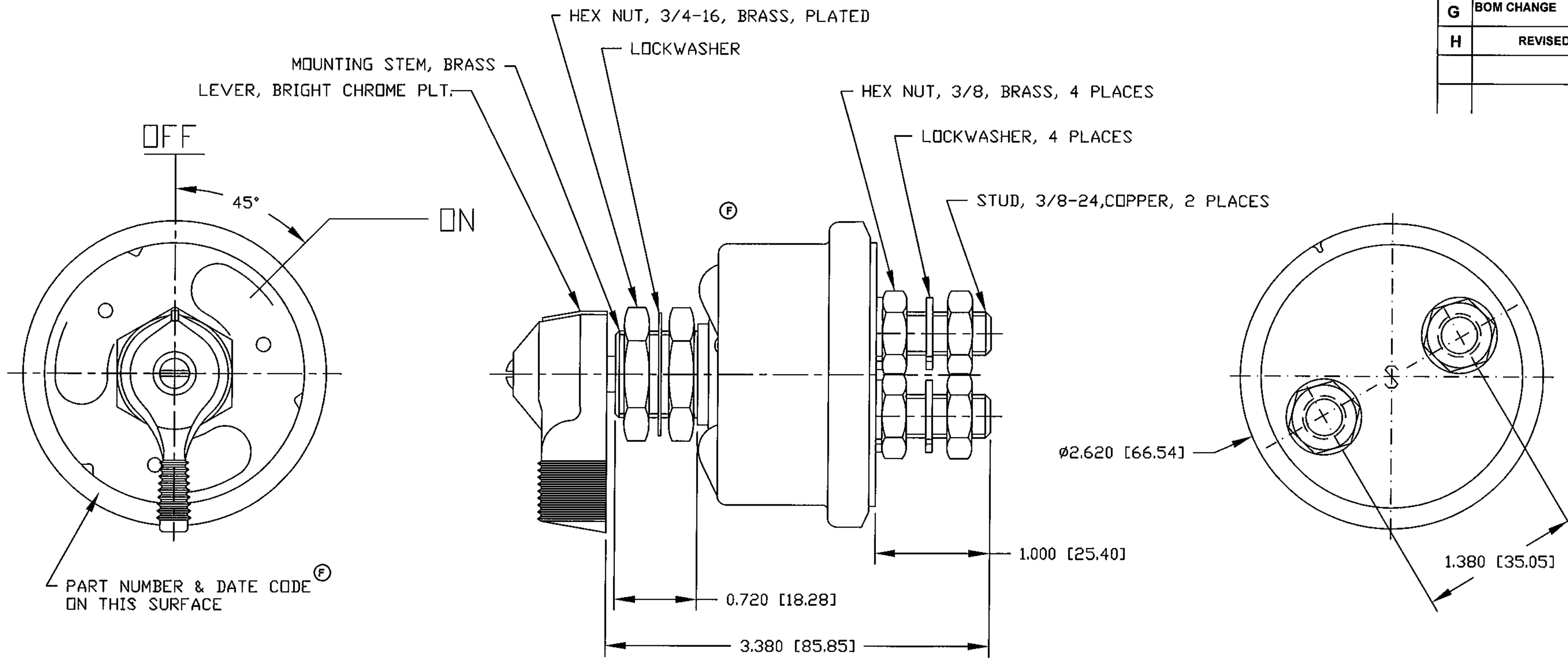


**Revision Control Record**

Rev.	Description of Change	ECN No.	Date
F	REMOVE LABEL, CHANGE NOTES	05327	08/18/05
G	BOM CHANGE	06365	11/01/06
H	REVISED BOM	10144	4/29/10



**NOTES:**

- RATING: CONTINUOUS - 175 AMPS 6-12-24-36 VDC  
INTERMITTENT - 1000 AMPS 6-12-24-36 VDC  
15 SEC. "ON", 5 MINUTES "OFF", 1000 CYCLES
- SILVER LAMINATED CONTACT SURFACES
- ALL DIMENSIONS REFERENCE ONLY

**Tolerances** Unless otherwise specifically noted, the following are default tolerances:

- \* 2-place Decimal Dimensions +/- .02"
- \* 3-place Decimal Dimensions +/- .005"
- \* Angular Dimensions +/- 1.0 Deg.
- \* Metric: Refer to equivalent English Dimension Tolerance
- >>> NOTE: All tolerances are Non-Cumulative. <<<

**Dimensional Units** All dimensions are expressed in inches except those shown in brackets (xxx) are expressed in millimeters

"REF." or an Asterisk (\*) = Non-Toleranced Reference Dimension, shown for clarification purposes only.

Used On 2484-A W/BRIGHT  
or Ref.: CHROME PLT LEVER

Scale: **1:1**

**PROPRIETARY INFORMATION** This Engineering Drawing, and the information contained herein, is proprietary to Cole Hersee Company and may not be disclosed, re-produced, or in any other way transferred or communicated to any other party without the express written consent of an authorized representative of Cole Hersee Company.

**DESIGN CONTROL** It is the responsibility of the individual using / referencing this drawing to assure that the noted design revision level agrees with the revision level of the Controlled Document (Master Drawing). This is a NON-CONTROLLED DOCUMENT unless otherwise specifically noted.

**DO NOT SCALE** - Dimensional variation may occur during printing / reproduction.

Drawn By: **RW**

Date Drawn: **04/25/72**

**Key for Special Characteristics:**

- CC Critical Characteristic, relating to Safety and/or Regulatory Compliance
- X Significant Characteristic relating to Process Control (SPC)
- CD Control Dimension relating to Form - Fit - Function as defined by Cole Hersee Company and/or the Customer

(Note that the identification of any Characteristics as being "Special" does not alter the requirement that ALL specified dimensions & tolerances must be met.)

Responsible Engineer: **NA**

Pg. 1 of 1



**Cole Hersee Co.**

20 Old Colony Ave., South Boston, MA, 02127  
Phn: 617-268-2100 Web: www.colehersee.com

Description: **SWITCH, MASTER DISCONNECT**

Drawing / Part No.: **2484-05**

Current Rev. **H**