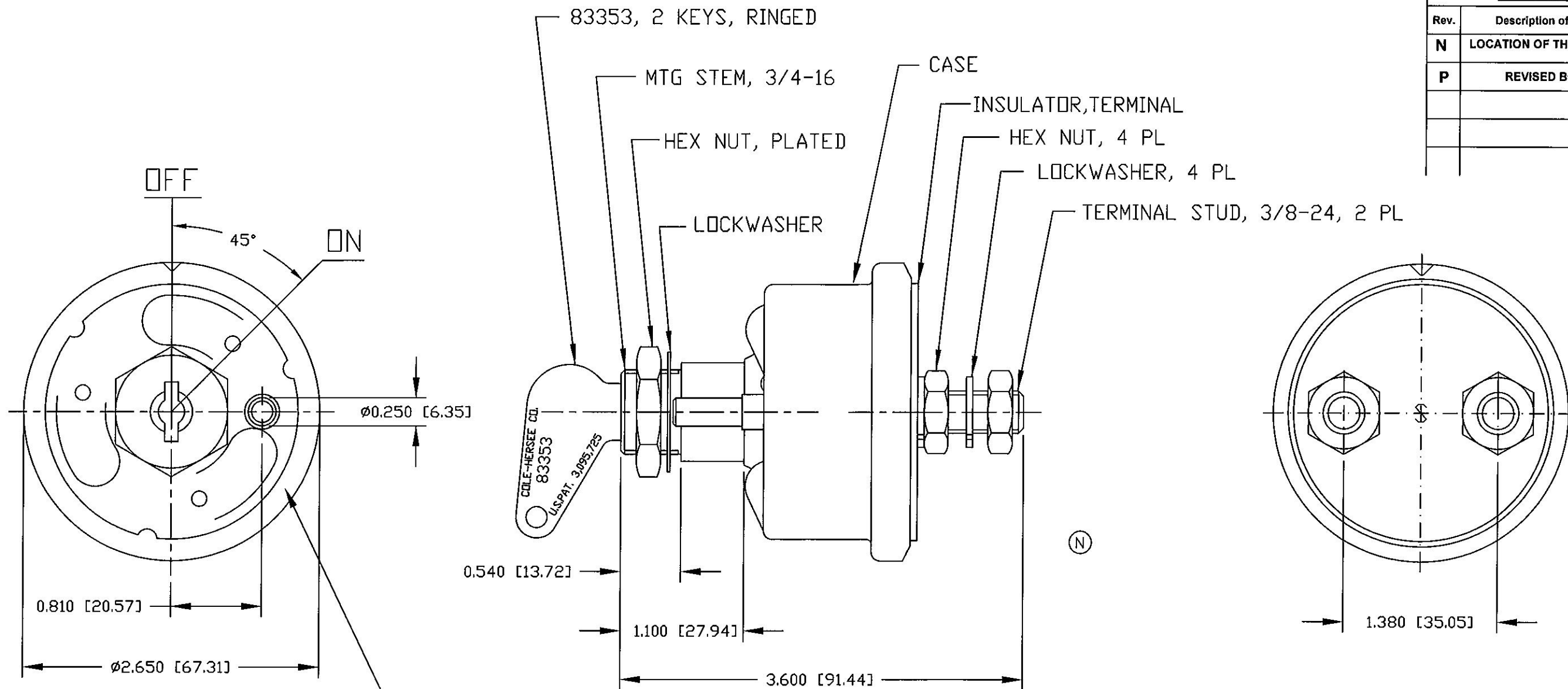


Revision Control Record

Rev.	Description of Change	ECN No.	Date
N	LOCATION OF THE STAMP	02167	4/03/02
P	REVISED BOM	10143	4/29/10



(N) STAMP PART NO. AND DATE CODE AT RANDOM LOCATIONS

- NOTES:
1. ALL STEEL PARTS PLATED
 2. ALL DIMENSIONS REFERENCE ONLY
 3. SILVER CONTACT SURFACES
 4. O-RING SEAL AT BUSHING
 5. RATING:
 CONTINUOUS-175 AMPS @ 6-12-24-36 VDC
 INTERMITTENT-1000 AMPS @ 6-12-24-36 VDC
 15 SECONDS ON, 5 MINUTES OFF, FOR 1000 CYCLES

<p>Tolerances Unless otherwise specifically noted, the following are default tolerances: * 2-place Decimal Dimensions +/- .02" * 3-place Decimal Dimensions +/- .005" * Angular Dimensions +/- 1.0 Deg. * Metric: Refer to equivalent English Dimension Tolerance >>> NOTE: All tolerances are Non-Cumulative. <<<</p> <p>Dimensional Units All dimensions are expressed in inches except those shown in brackets (xxx) are expressed in millimeters</p> <p>"REF." or an Asterisk (*) = Non-Toleranced Reference Dimension, shown for clarification purposes only.</p>		<p>PROPRIETARY INFORMATION This Engineering Drawing, and the information contained herein, is proprietary to Cole Hersee Company and may not be disclosed, re-produced, or in any other way transferred or communicated to any other party without the express written consent of an authorized representative of Cole Hersee Company.</p> <p>DESIGN CONTROL It is the responsibility of the individual using / referencing this drawing to assure that the noted design revision level agrees with the revision level of the Controlled Document (Master Drawing). This is a NON-CONTROLLED DOCUMENT unless otherwise specifically noted.</p> <p>DO NOT SCALE - Dimensional variation may occur during printing / reproduction.</p>		<p>Key for Special Characteristics:</p> <p>⬠ Critical Characteristic, relating to Safety and/or Regulatory Compliance</p> <p>X Significant Characteristic relating to Process Control (SPC)</p> <p>Ⓢ Control Dimension relating to Form - Fit - Function as defined by Cole Hersee Company and/or the Customer</p> <p>(Note that the identification of any Characteristics as being "Special" does not alter the requirement that ALL specified dimensions & tolerances must be met.)</p>		<p>Cole Hersee Co. 20 Old Colony Ave., South Boston, MA, 02127 Phn: 617-268-2100 Web: www.colehersee.com</p>					
<p>Used On 2484-A EXCEPT NEW BUSHING, or Ref.: SHAFT, PIN AND O-RING</p>		<p>Scale: 1:1</p>		<p>Drawn EA By:</p>		<p>Date 4/28/70 Drawn:</p>		<p>Responsible Engineer:</p>		<p>Pg. 1 of 1</p>	
<p>Description: SWITCH, MASTER DISCONNECT</p>								<p>Drawing / Part No.: 2484-03</p>		<p>Current Rev. P</p>	