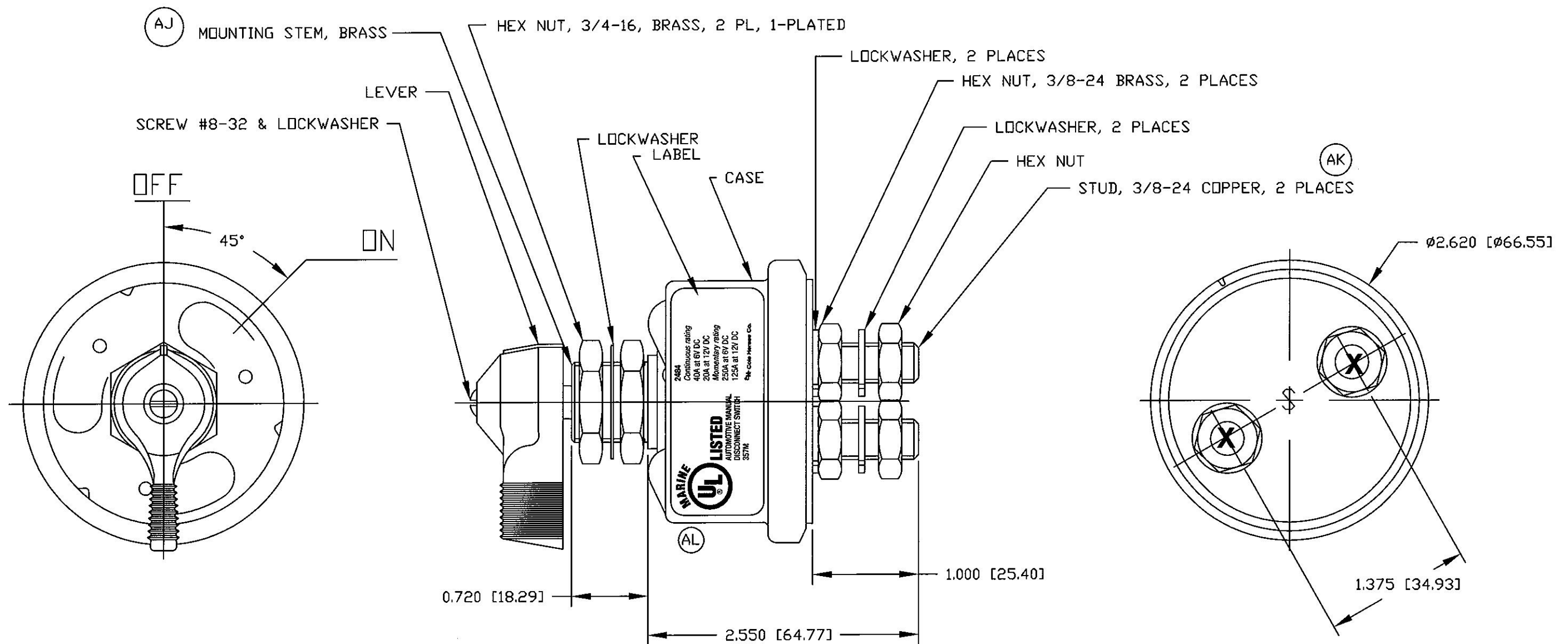


4

3

2

1



- NOTES:
1. ALL STEEL PARTS PLATED
 2. ALL DIMENSIONS REF. ONLY
 3. SWITCH IS ASSEMBLED
 4. TORQUE SPECIFICATIONS:
MOUNTING STEM NUTS: 20 FT LBS [27 N.m] MAX
3/8" NUTS 70-90 IN LBS [8-10 N.m]
 5. RATING: 250A AT 6 VDC; 125A AT 12 VDC INTERMITTENT;
40A AT 6VDC, 20A AT 12 VDC CONTINUOUS

Revision Control Record				Rev.	Description of Change	ECN No.	Date	Tolerances Unless otherwise specifically noted, the following are default tolerances:			PROPRIETARY INFORMATION This Engineering Drawing, and the information contained herein, is proprietary to Cole Hersee Company and may not be disclosed, re-produced, or in any other way transferred or communicated to any other party without the express written consent of an authorized representative of Cole Hersee Company.	Special Characteristics:		Cole Hersee Co. 20 Old Colony Ave., South Boston, MA, 02127 Phn: 617-268-2100 Web: www.colehersee.com		
Rev.	Description of Change	ECN No.	Date				2-places +/- 0.02"	3-places +/- 0.005"	Angular +/- 1°	CC Critical Characteristic, relating to Safety and/or Regulatory Compliance		XC Significant Characteristic relating to Process Control	Description: SWITCH MASTER DISCONNECT			
AH	DELETE NOTE 3	07179	05/18/07													Drawing / Part No.: 2484
AJ	ADDED NOTES	08680	11/25/08													
AK	ADDED "X" TO STUD TOP	09563	12/7/09													
AL	UPDATED LABEL	10014	1/13/10													

4

3

2

1