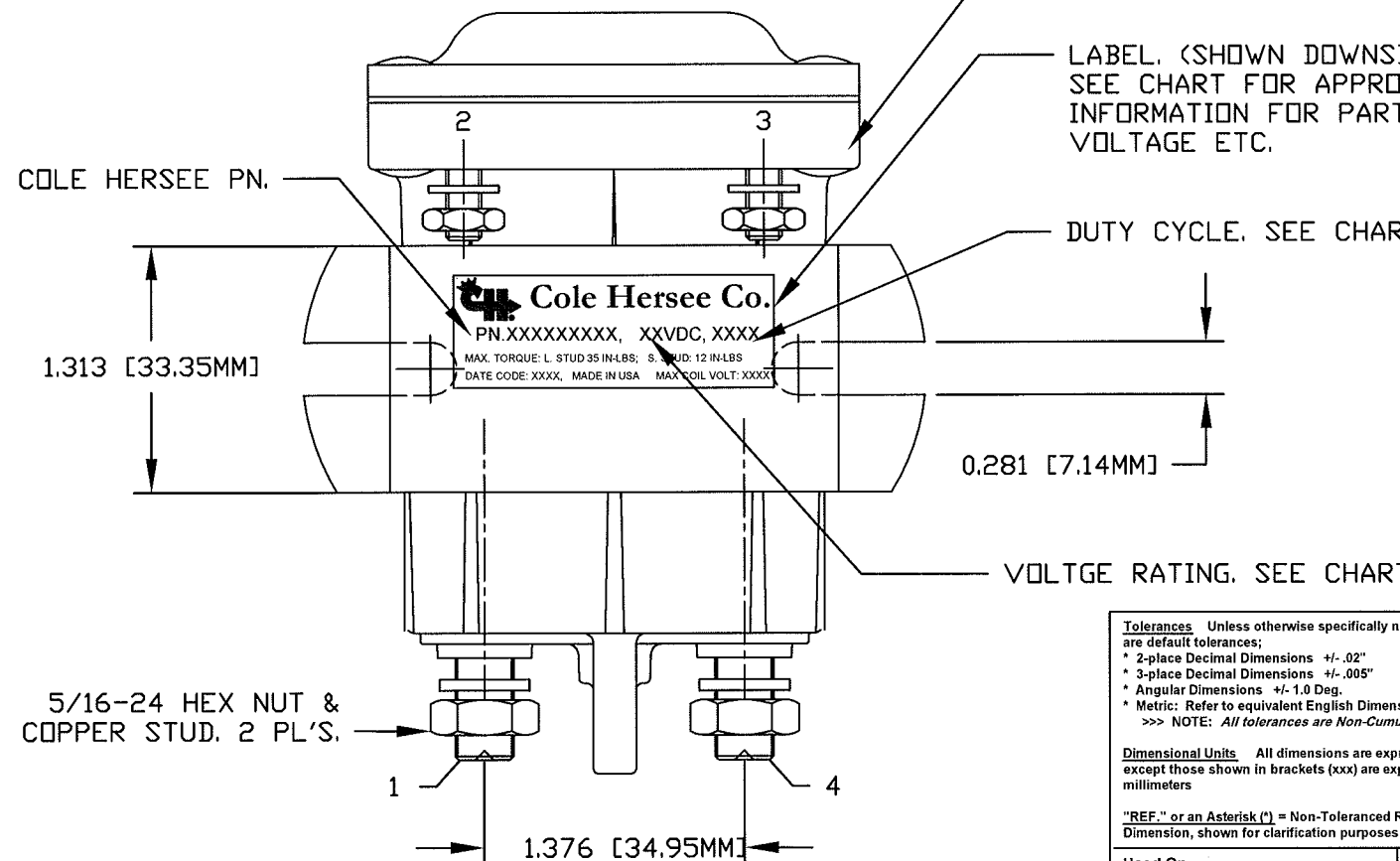
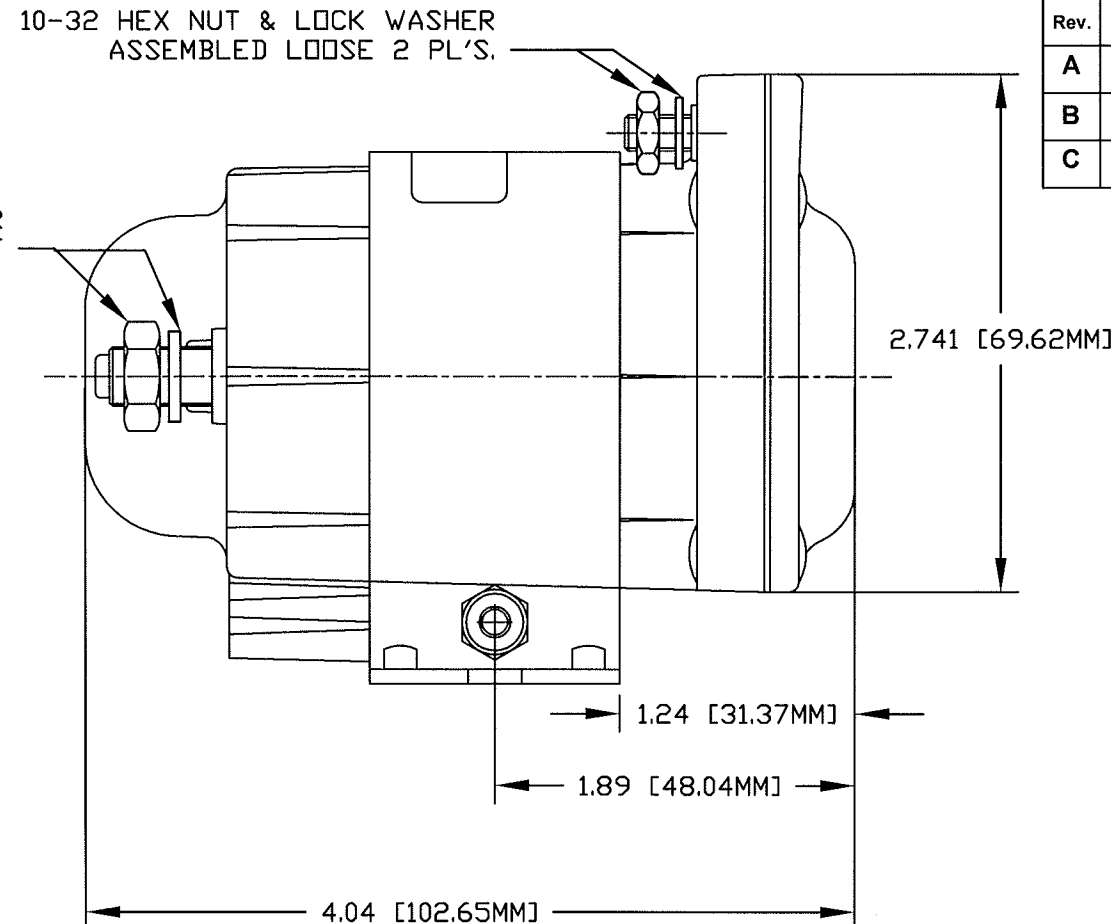
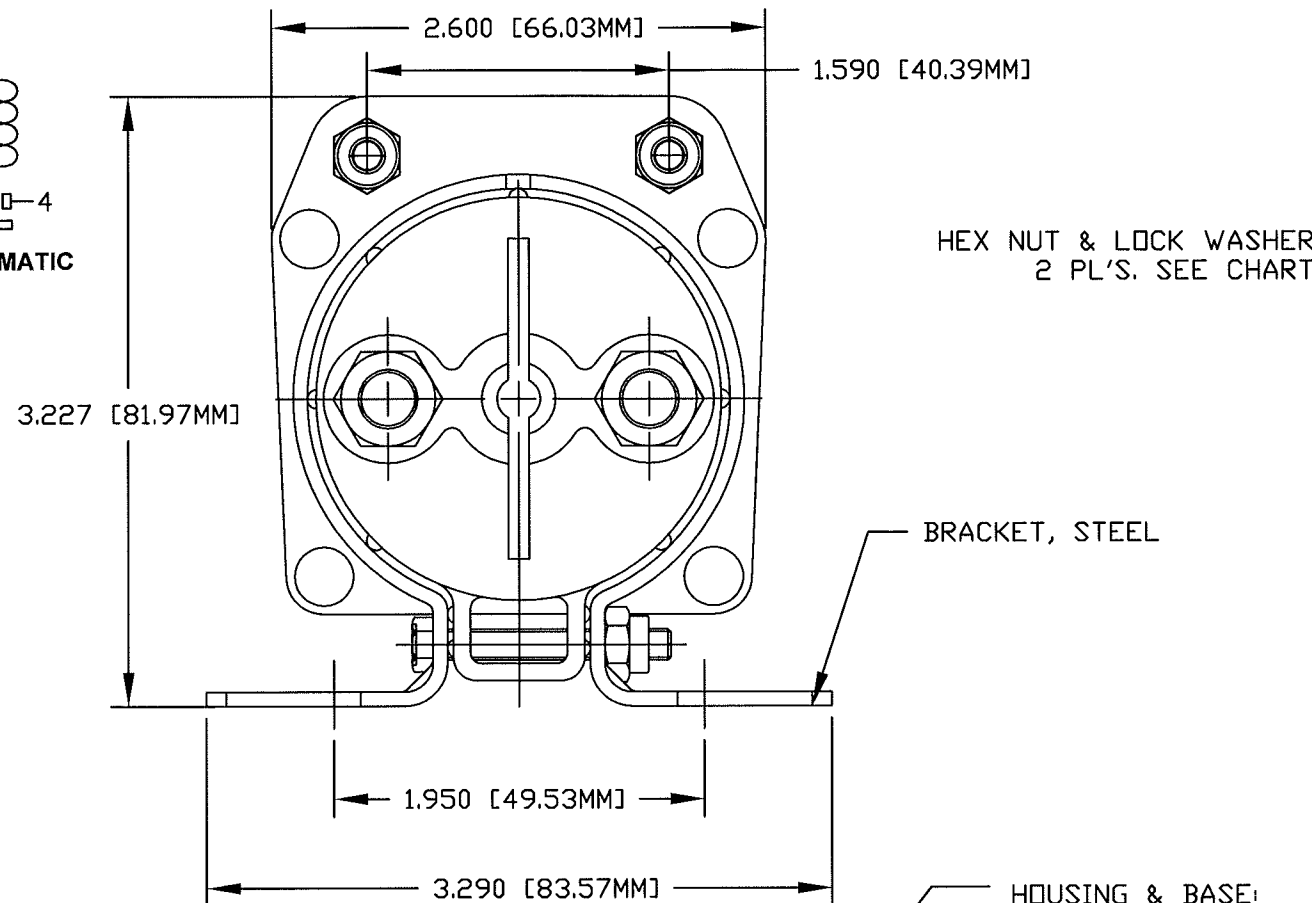
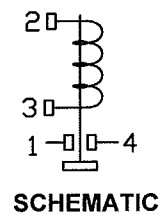


**Revision Control Record**

Rev.	Description of Change	ECN No.	Date
A	NEW PART- INITIAL RELEASE	03443	10/10/03
B	REMOVE PART LISTING	09313	06/02/09
C	ADDITIONAL PARTS DELISTED	13193	08/21/13



LABEL. (SHOWN DOWNSIDE UP FOR EASE OF READING.)  
SEE CHART FOR APPROPRIATE INFORMATION FOR PART#, VOLTAGE ETC.

- NOTES:**
1. ALL DIMENSIONS ARE REFERENCE.
  2. ALL STEEL PARTS PLATED. HOUSING MATERIAL: NYLON, GLASS REINFORCED. MOISTURE RESISTANT.
  3. CONTACT MATERIAL: SEE CHART.
  4. COIL RESISTANCE AT 12 TO 48VDC, 25°C: SEE CHART.
  5. CONTACT CURRENT CARRYING CAPACITY. INTERM DUTY: 300 AMPS, 12-48VDC. CONT. DUTY: 225 AMPS. INTERMITTENT DUTY INRUSH: 600 AMPS, CONTINUOUS DUTY INRUSH: 600 AMPS. INTERMITTENT DUTY ON AND OFF TIME: 20 SECONDS ON; 5 MINUTES OFF. MAX. ON TIME 10 MINUTES. LIFE CYCLE @12 TO 48VDC, 25°C: SEE CHART.
  6. BRACKET: INDIVIDUAL SOLENOID COMES WITH "L" BRACKET. CONTACT FACTORY FOR OTHER STYLE.
  7. HARDWARE: ALL HARDWARE COME ASSEMBLED.
  8. OPERATING TEMPERATURE: -40°C TO 59°C. (-40°F TO 159°F)
  9. ENVIRONMENTAL RATING: IP66

**Tolerances** Unless otherwise specifically noted, the following are default tolerances:  
 \* 2-place Decimal Dimensions +/- .02"  
 \* 3-place Decimal Dimensions +/- .005"  
 \* Angular Dimensions +/- 1.0 Deg.  
 \* Metric: Refer to equivalent English Dimension Tolerance  
 >>> NOTE: All tolerances are Non-Cumulative. <<<

**Dimensional Units** All dimensions are expressed in inches except those shown in brackets (xxx) are expressed in millimeters

"REF." or an Asterisk (\*) = Non-Toleranced Reference Dimension, shown for clarification purposes only.

Used On or Ref.: EX27922-J REV.X2 Scale: 1:1

**PROPRIETARY INFORMATION** This Engineering Drawing, and the information contained herein, is proprietary to Cole Hersee Company and may not be disclosed, re-produced, or in any other way transferred or communicated to any other party without the express written consent of an authorized representative of Cole Hersee Company.

**DESIGN CONTROL** It is the responsibility of the individual using / referencing this drawing to assure that the noted design revision level agrees with the revision level of the Controlled Document (Master Drawing). This is a NON-CONTROLLED DOCUMENT unless otherwise specifically noted.

DO NOT SCALE - Dimensional variation may occur during printing / reproduction.

Drawn By: G. AUGUSTE Date Drawn: 05/15/03

**Special Characteristics:**

- CC Critical Characteristic, relating to Safety and/or Regulatory Compliance
- X Significant Characteristic relating to Process Control (SPC)
- KC Key Characteristic relating to Form - Fit - Function as defined by Cole Hersee Company and/or the Customer

(Note that the identification of any Characteristics as being "Special" does not alter the requirement that ALL specified dimensions & tolerances must be met.)

Responsible Engineer: G. AUGUSTE Pg. 1 OF 2

**Cole Hersee Co.**  
 20 Old Colony Ave., South Boston, MA, 02127  
 Phn: 617-268-2100 Web: www.colehersee.com

**Description:**  
**SOLENOID, 12-48V, SPST, N.O.**

Drawing / Part No.: **24800 SERIES CHART** Current Rev. **C**

