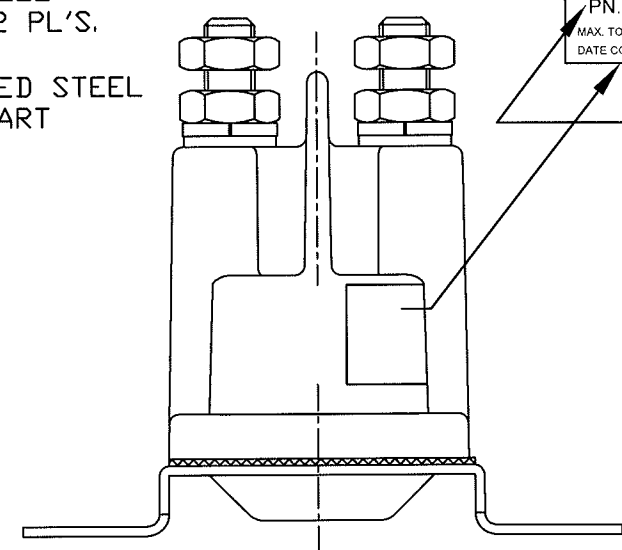
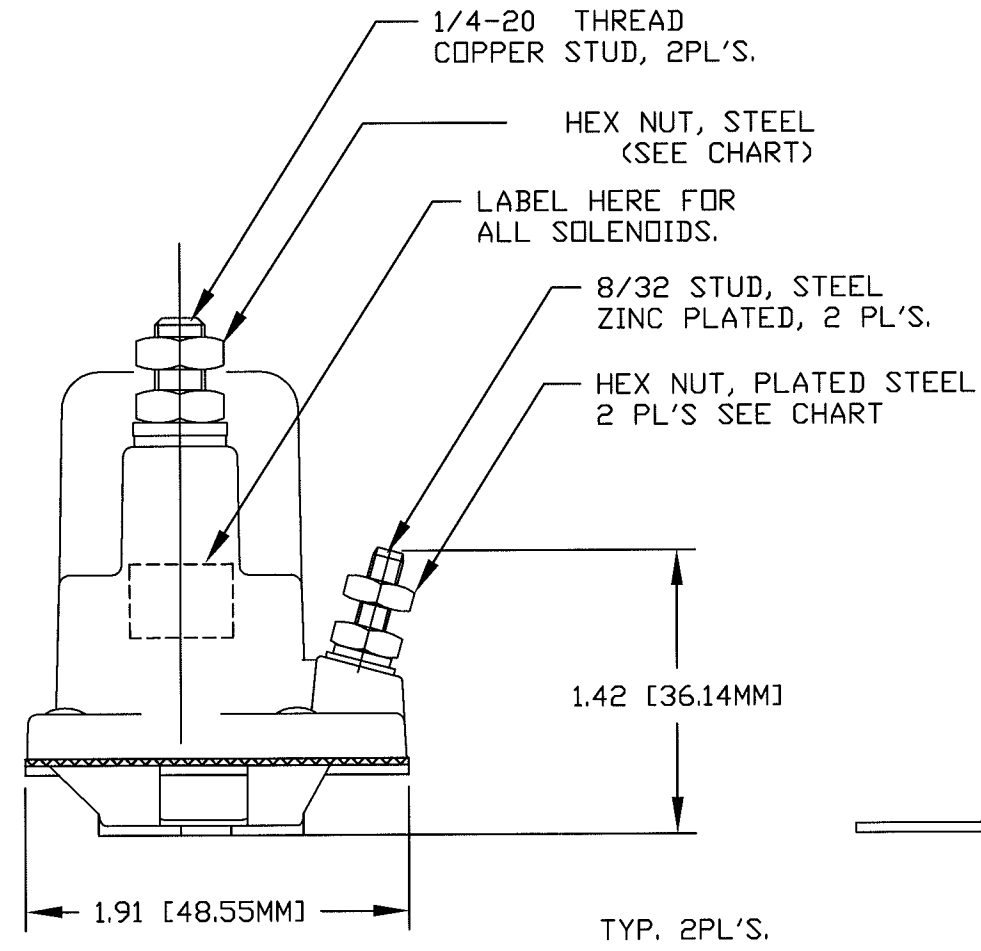
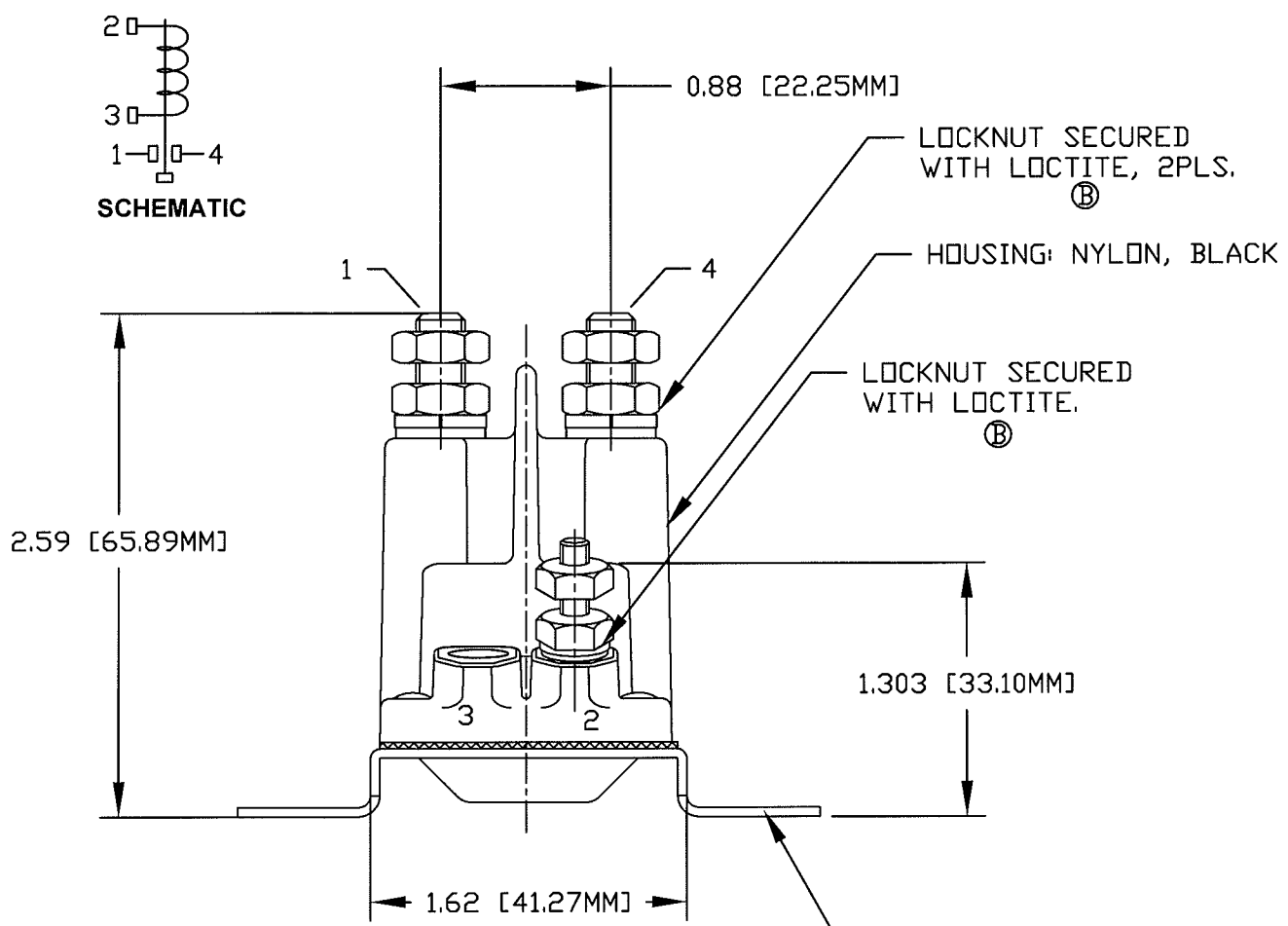
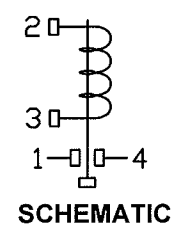
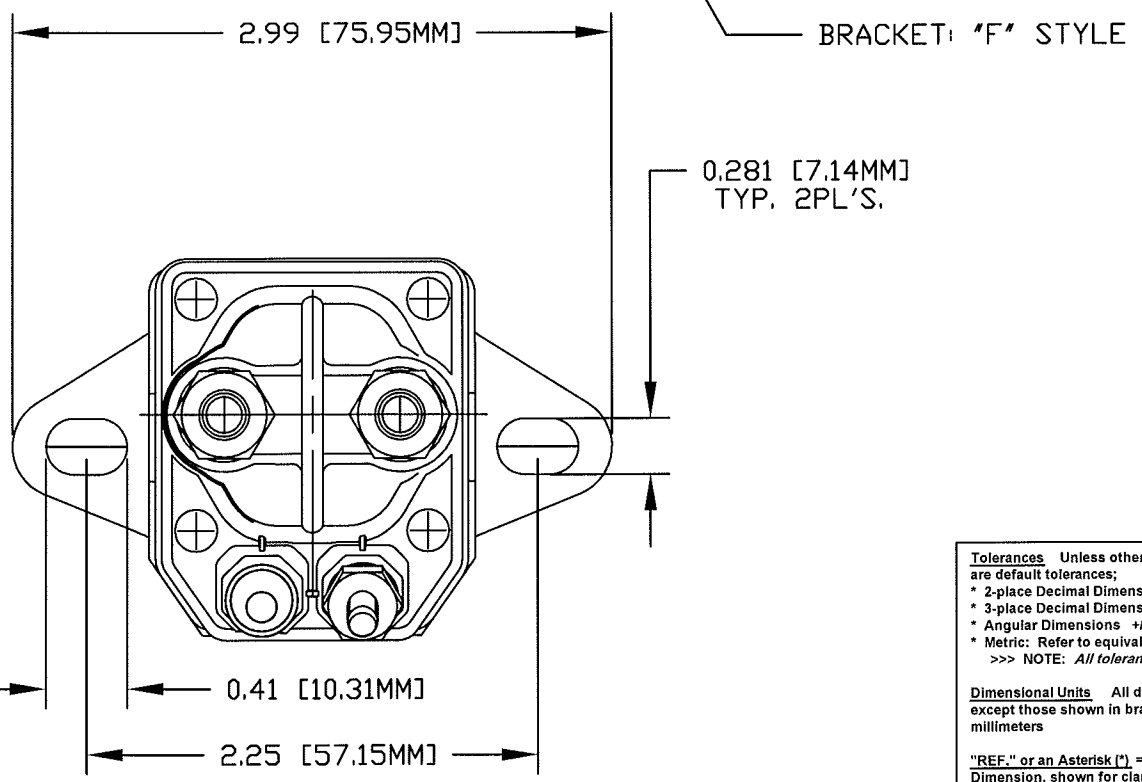


**Revision Control Record**

Rev.	Description of Change	ECN No.	Date
A	NEW PART	03443	10/10/03
B	REMOVE PARTS FROM CHART; HARDWARE ASSBLD	13191	8/10/13



**Cole Hersee Co.**  
 PN: 24712-GS7, 12VDC, INTERM  
 MAX. TORQUE: L. STUD 35 IN-LBS, S. STUD: 12 IN-LBS  
 DATE CODE: XXXX MAX COIL VOLT: 14VDC



**NOTES:**

1. ALL DIMENSIONS ARE REFERENCE.
2. ALL STEEL PARTS ZINC PLATED. HOUSING MATERIAL: NYLON, GLASS REINFORCED.
3. CONTACT MATERIAL: COPPER.
4. COIL RESISTANCE AT 12VDC, 25°C: 2.5 OHMS. INTERM DUTY. INRUSH: 500 AMPS., INTERMITTENT DUTY ON AND OFF TIME: 5 SECONDS ON; 5 MINUTES OFF. INTERMITTENT DUTY MAX. ON TIME 20 SECONDS. LIFE CYCLE @12VDC; 10K CYCLES MIN.
5. BRACKET: STEEL, ZINC PLATED
- (B) 6. HARDWARE: ALL HARDWARE COMES ASSEMBLED.
7. OPERATING TEMPERATURE: -40°C TO 59°C. (-40 TO 140°F)
8. ENVIRONMENTAL RATING: IP66
9. HARDWARE TORQUE FOR CABLE ASSEMBLY: 35 IN-LBS MAX 5/16 NUTS; 12 IN-LBS MAX FOR 10/32 NUTS.

**Tolerances** Unless otherwise specifically noted, the following are default tolerances:  
 \* 2-place Decimal Dimensions +/- .02"  
 \* 3-place Decimal Dimensions +/- .005"  
 \* Angular Dimensions +/- 1.0 Deg.  
 \* Metric: Refer to equivalent English Dimension Tolerance  
 >>> NOTE: All tolerances are Non-Cumulative. <<<

**Dimensional Units** All dimensions are expressed in inches except those shown in brackets (xxx) are expressed in millimeters

"REF." or an Asterisk (\*) = Non-Toleranced Reference Dimension, shown for clarification purposes only.

Used On or Ref.: EX27922-H12 Scale: 1:1

**PROPRIETARY INFORMATION** This Engineering Drawing, and the information contained herein, is proprietary to Cole Hersee Company and may not be disclosed, re-produced, or in any other way transferred or communicated to any other party without the express written consent of an authorized representative of Cole Hersee Company.

**DESIGN CONTROL** It is the responsibility of the individual using / referencing this drawing to assure that the noted design revision level agrees with the revision level of the Controlled Document (Master Drawing). This is a NON-CONTROLLED DOCUMENT unless otherwise specifically noted.

DO NOT SCALE - Dimensional variation may occur during printing / reproduction.

Drawn By: G. AUGUSTE Date Drawn: 05/02/03

**Special Characteristics:**

⬠ Critical Characteristic, relating to Safety and/or Regulatory Compliance

X Significant Characteristic relating to Process Control (SPC)

(KC) Key Characteristic relating to Form - Fit - Function as defined by Cole Hersee Company and/or the Customer

(Note that the identification of any Characteristics as being "Special" does not alter the requirement that ALL specified dimensions & tolerances must be met.)

Responsible Engineer: G. AUGUSTE Pg. 1 OF 2

**Cole Hersee Co.**  
 20 Old Colony Ave., South Boston, MA, 02127  
 Phn: 617-268-2100 Web: www.colehersee.com

Description:  
**SOLENOID, 12V, SPST, N.O**

Drawing / Part No.: **24712-GS7** Current Rev. **B**