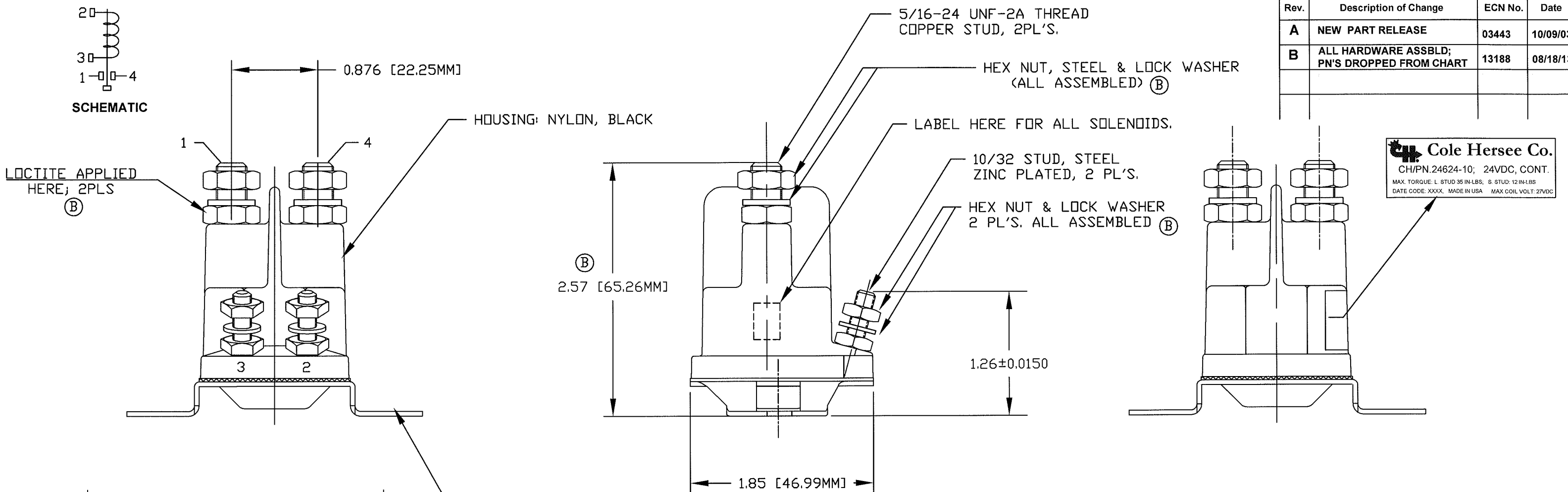


**Revision Control Record**

Rev.	Description of Change	ECN No.	Date
A	NEW PART RELEASE	03443	10/09/03
B	ALL HARDWARE ASSBLD; PN'S DROPPED FROM CHART	13188	08/18/13



**Cole Hersee Co.**  
 CH/PN.24624-10; 24VDC, CONT.  
 MAX. TORQUE: L. STUD 35 IN-LBS; S. STUD: 12 IN-LBS  
 DATE CODE: XXXX MADE IN USA MAX COIL VOLT: 27VDC

- NOTES:
1. ALL DIMENSIONS ARE REFERENCE.
  2. ALL STEEL PARTS ARE ZINC PLATED. HOUSING MATERIAL: NYLON, GLASS REINFORCED.
  3. CONT. DUTY COIL RESISTANCE @ 25°C: 76 OHMS
  4. SILVER CONTACT CONTINUOUS CURRENT CARRYING CAPACITY: 100 AMPS. INRUSH: 400 AMPS,
  5. LIFE CYCLE: 50K CYCLES
  6. HARDWARE: ALL HARDWARE IS SHIPPED ASSEMBLED.
  - (B) 7. OPERATING TEMPERATURE: -40°C TO 59°C. (-40 TO 140°F)
  8. ENVIRONMENTAL RATING: IP6X
  9. HARDWARE TORQUE FOR CABLE ASSEMBLY: 35 IN-LBS MAX 5/16 NUTS; 12 IN-LBS MAX FOR 10/32 NUTS.

<p><b>Tolerances</b> Unless otherwise specifically noted, the following are default tolerances;                  * 2-place Decimal Dimensions +/- .02"                  * 3-place Decimal Dimensions +/- .005"                  * Angular Dimensions +/- 1.0 Deg.                  * Metric: Refer to equivalent English Dimension Tolerance                  &gt;&gt;&gt; NOTE: All tolerances are Non-Cumulative. &lt;&lt;&lt;</p> <p><b>Dimensional Units</b> All dimensions are expressed in inches except those shown in brackets (xxx) are expressed in millimeters</p> <p>"REF." or an Asterisk (*) = Non-Toleranced Reference Dimension, shown for clarification purposes only.</p>		<p><b>PROPRIETARY INFORMATION</b> This Engineering Drawing, and the information contained herein, is proprietary to Cole Hersee Company and may not be disclosed, re-produced, or in any other way transferred or communicated to any other party without the express written consent of an authorized representative of Cole Hersee Company.</p> <p><b>DESIGN CONTROL</b> It is the responsibility of the individual using / referencing this drawing to assure that the noted design revision level agrees with the revision level of the Controlled Document (Master Drawing). This is a NON-CONTROLLED DOCUMENT unless otherwise specifically noted.</p> <p>DO NOT SCALE - Dimensional variation may occur during printing / reproduction.</p>		<p><b>Special Characteristics:</b></p> <p>(CC) Critical Characteristic, relating to Safety and/or Regulatory Compliance</p> <p>(X) Significant Characteristic relating to Process Control (SPC)</p> <p>(KC) Key Characteristic relating to Form - Fit - Function as defined by Cole Hersee Company and/or the Customer</p> <p>(Note that the identification of any Characteristics as being "Special" does not alter the requirement that ALL specified dimensions &amp; tolerances must be met.)</p>		<p><b>Cole Hersee Co.</b>                  20 Old Colony Ave., South Boston, MA, 02127                  Phn: 617-268-2100 Web: www.colehersee.com</p> <p><b>Description:</b>  <b>SOLENOID, 24V, SPST, N.O</b></p>	
Used On or Ref.: EX27922-B12	Scale: 1:1	Drawn By: G. AUGUSTE	Date Drawn: 05/02/03	Responsible Engineer: G. AUGUSTE	Pg. 1 OF 1	<p><b>Drawing / Part No.:</b> 24624-10</p> <p><b>Current Rev.:</b> B</p>	