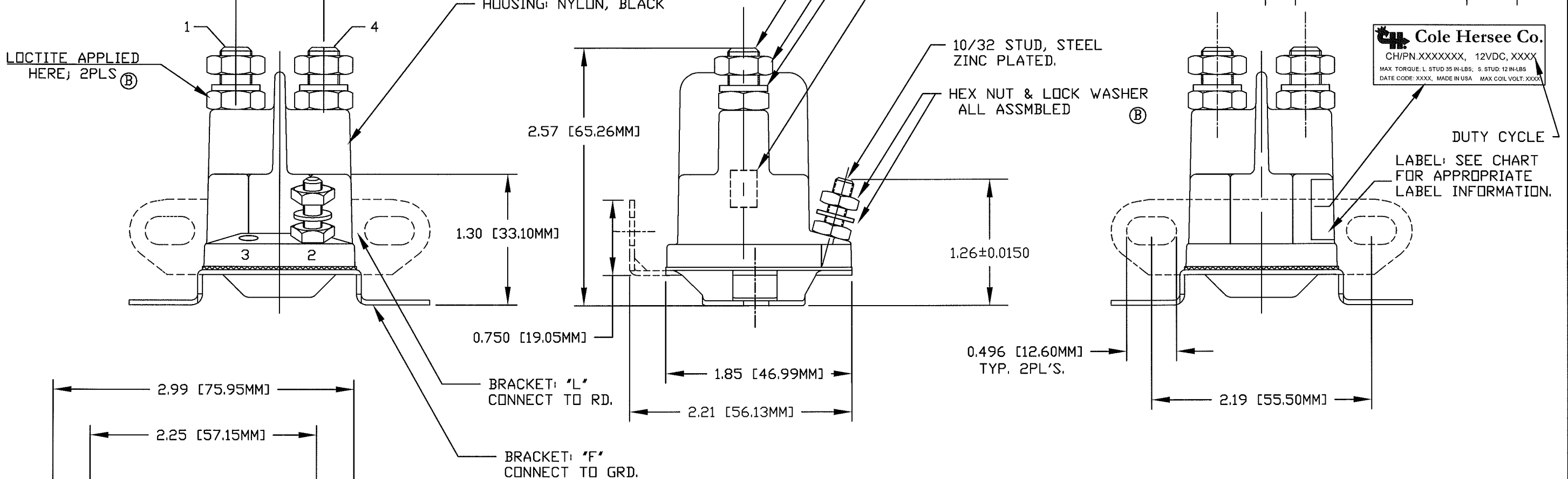
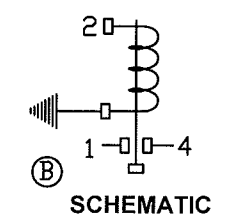


**Revision Control Record**

Rev.	Description of Change	ECN No.	Date
A	NEW PART	03443	10/09/03
B	ALL HARDWARE ASSBLD; PN'S DROPPED FROM CHART	13198	08/18/13



**Cole Hersee Co.**  
CH/PN.XXXXXXX, 12VDC, XXXX  
MAX TORQUE: L. STUD 35 IN-LBS; S. STUD: 12 IN-LBS  
DATE CODE: XXXX, MADE IN USA MAX COIL VOLT: XXXX

- NOTES:
1. ALL DIMENSIONS ARE REFERENCE.
  2. ALL STEEL PARTS ZINC PLATED. HOUSING MATERIAL: NYLON, GLASS REINFORCED.
  3. CONTACT MATERIAL: SEE CHART.
  4. INTERMITTENT & CONT DUTY COIL RESISTANCE @ 12VDC, 25°C: SEE CHART
  5. CONTACT CURRENT CARRYING CAPACITY, INTERM DUTY: 200 AMPS; CONT. DUTY: 100 AMPS. (SILVER CONTACT)  
INTERMITTENT DUTY INRUSH: 300 AMPS, CONTINUOUS DUTY INRUSH: 400 AMPS.  
INTERMITTENT DUTY ON AND OFF TIME: 5 SECONDS ON; 5 MINUTES OFF, MAX. ON TIME: 20 SECONDS.
  6. LIFE CYCLE @12VDC, 25°C: 10K CYCLES. CONTINUOUS DUTY: 50K CYCLES (SILVER CONTACT)
  7. BRACKET: INDIVIDUAL SOLENOID COMES WITH EITHER 'F' OR 'L' METAL BRACKET. SEE CHART.
  - (B) 8. HARDWARE: ALL HARDWARE IS ASSEMBLED.
  9. OPERATING TEMPERATURE: -40°C TO 59°C. (-40 TO 140°F)
  10. FOR EXCEPTION TO ABOVE: SEE CHART 'ADDITIONAL NOTES' WHERE APPLICABLE.

**Tolerances** Unless otherwise specifically noted, the following are default tolerances:  
 \* 2-place Decimal Dimensions +/- .02"  
 \* 3-place Decimal Dimensions +/- .005"  
 \* Angular Dimensions +/- 1.0 Deg.  
 \* Metric: Refer to equivalent English Dimension Tolerance  
 >>> NOTE: All tolerances are Non-Cumulative, <<<

**Dimensional Units** All dimensions are expressed in inches except those shown in brackets (xxx) are expressed in millimeters

**REF.** or an Asterisk (\*) = Non-Toleranced Reference Dimension, shown for clarification purposes only.

Used On or Ref.: EX27922-B12 Scale: 1:1

**PROPRIETARY INFORMATION** This Engineering Drawing, and the information contained herein, is proprietary to Cole Hersee Company and may not be disclosed, re-produced, or in any other way transferred or communicated to any other party without the express written consent of an authorized representative of Cole Hersee Company.

**DESIGN CONTROL** It is the responsibility of the individual using / referencing this drawing to assure that the noted design revision level agrees with the revision level of the Controlled Document (Master Drawing). This is a NON-CONTROLLED DOCUMENT unless otherwise specifically noted.

DO NOT SCALE - Dimensional variation may occur during printing / reproduction.

Drawn By: G. AUGUSTE Date Drawn: 05/02/03

**Special Characteristics:**

- CC Critical Characteristic, relating to Safety and/or Regulatory Compliance
- X Significant Characteristic relating to Process Control (SPC)
- KC Key Characteristic relating to Form - Fit - Function as defined by Cole Hersee Company and/or the Customer

(Note that the identification of any Characteristics as being "Special" does not alter the requirement that ALL specified dimensions & tolerances must be met.)

Responsible Engineer: G. AUGUSTE Pg. 1 OF 2

**Cole Hersee Co.**  
20 Old Colony Ave., South Boston, MA, 02127  
Phn: 617-268-2100 Web: www.colehersee.com

**Description:**  
**SOLENOID, 12V, SPST, N.O**

**Drawing / Part No.:**  
**24612-G, CHART**

**Current Rev.:**  
**B**

