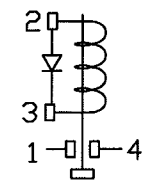
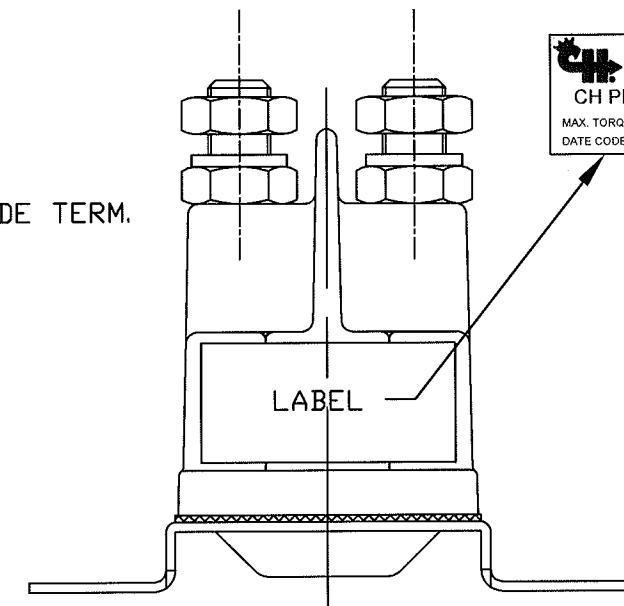
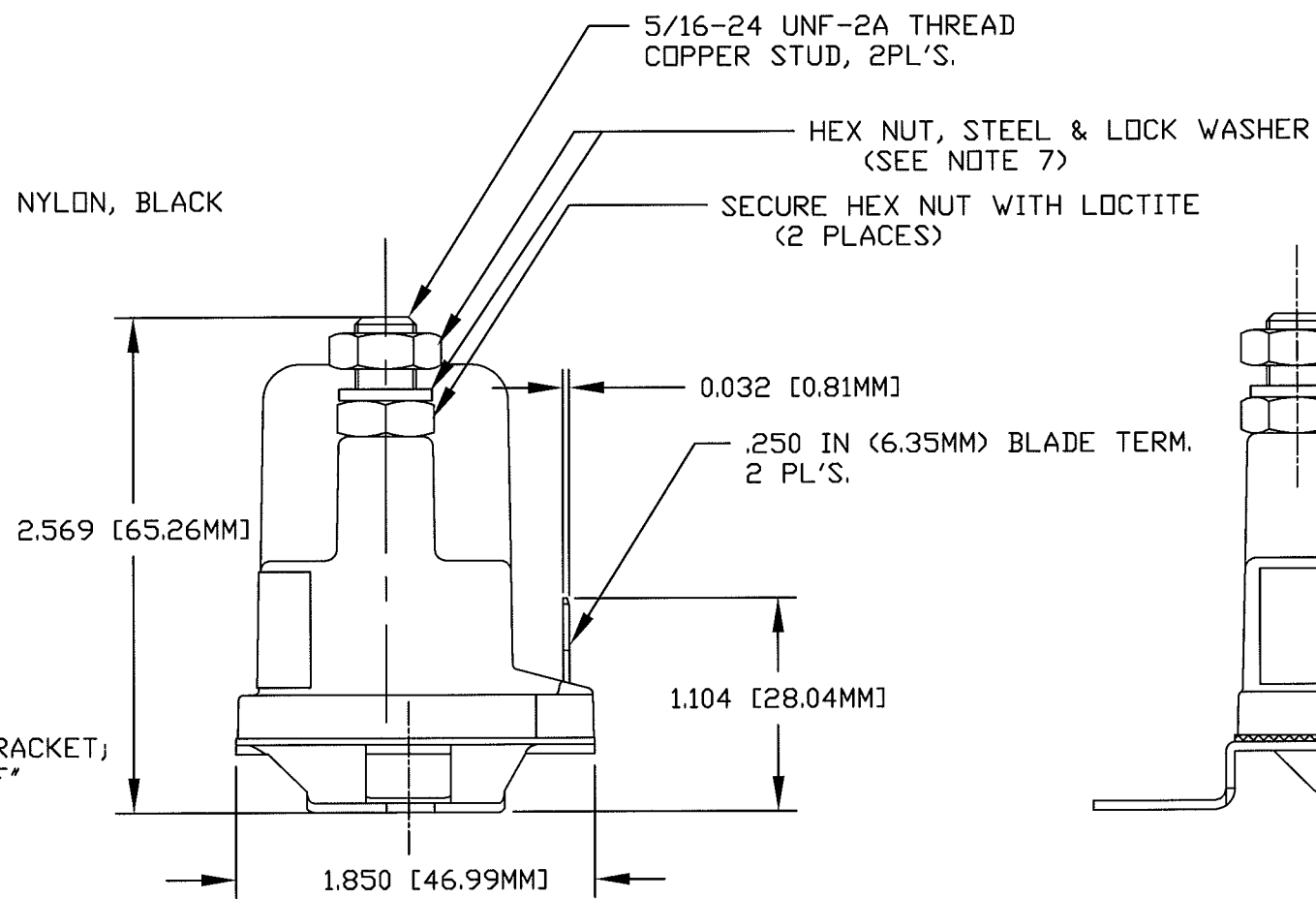
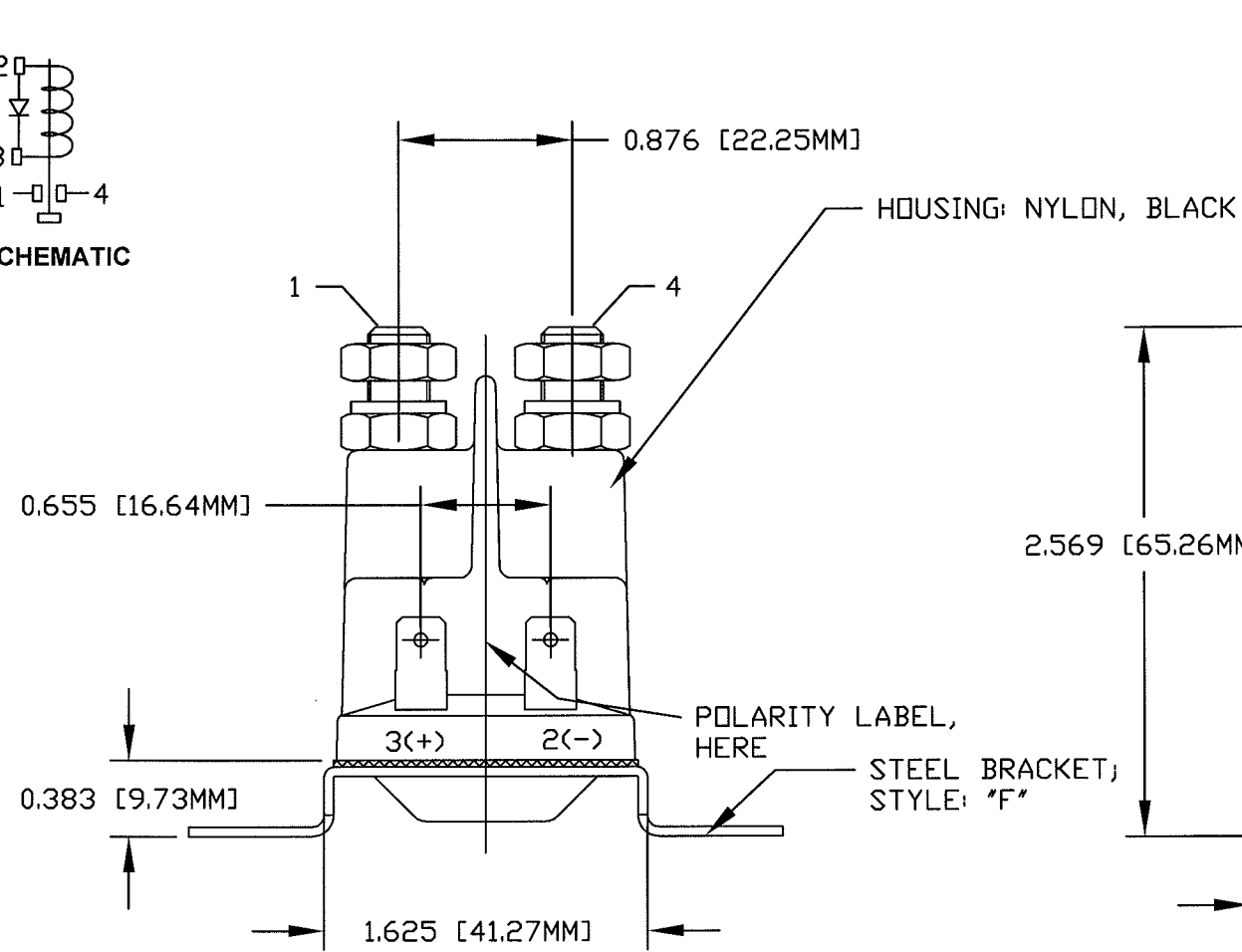


**Revision Control Record**

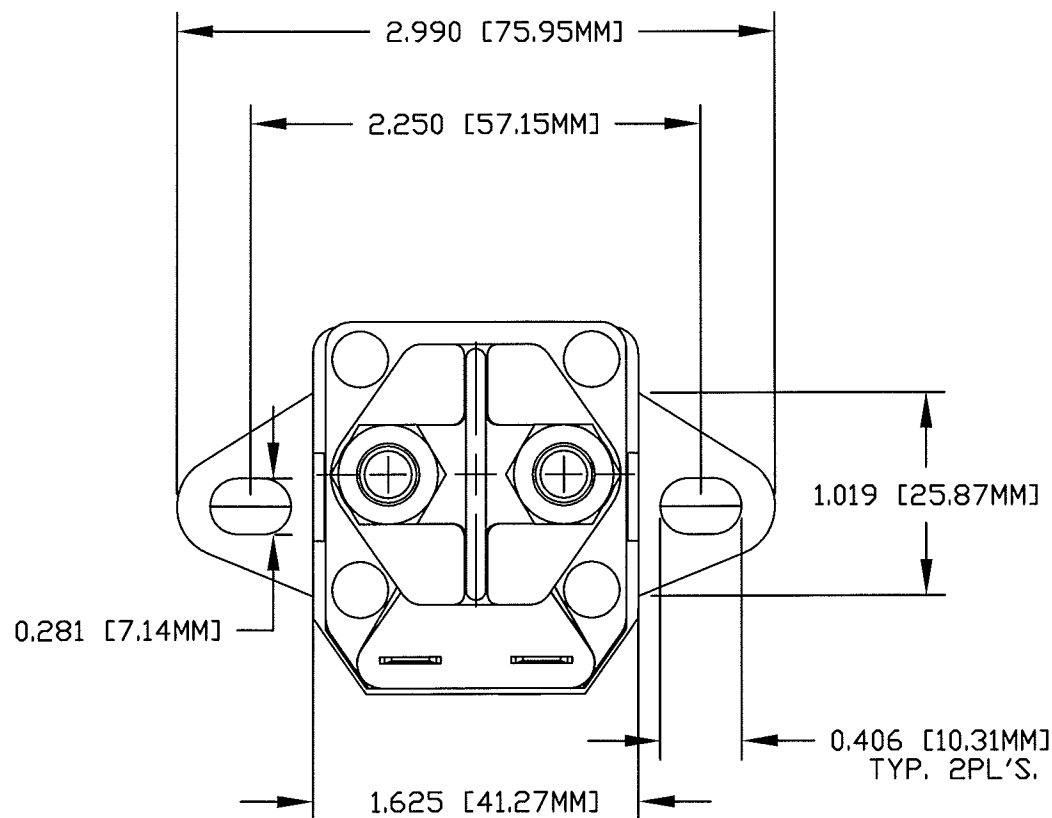
Rev.	Description of Change	ECN No.	Date
A	NEW PART ADDITION	12184	05/10/12
B	CHANGE POLARITIES	13001	01/02/13



**SCHEMATIC**



**Cole Hersee Co.**  
 CH PN.XXXXXXX, 24VDC, XXXX  
 MAX. TORQUE: L. STUD 35 IN-LBS; S. STUD: 12 IN-LBS  
 DATE CODE: XXXX, MADE IN USA MAX COIL VOLT: XXXX



**NOTES:**

1. ALL DIMENSIONS ARE REFERENCE.
2. ALL STEEL PARTS ZINC PLATED. HOUSING MATERIAL: NYLON, GLASS REINFORCED.
3. CONTACT MATERIAL: SILVER.
5. ELECTRICAL RATING: MAKE & BRAKE: 100 AMPS; CONT. DUTY, INRUSH: 400 AMPS. LIFE CYCLE @24VDC: 50K CYCLES. COIL RESISTANCE AT 24 VDC: 76 OHMS @ 25°C.
6. BRACKET: SOLENOID COMES WITH "F" BRACKET.
7. HARDWARE: ALL HARDWARE COME ASSEMBLED TO STUDS. APPLY 35 IN-LBS (3.95Nm) MAX TORQUE DURING CABLE ASSEMBLY.
8. OPERATING TEMPERATURE: -40°C TO 59°C. (-40 TO 140°F)
9. DIODE MOUNTED ACROSS COIL; FOLLOW PROPER POLARITY WHEN WIRING COIL. SEE SCHEMATIC.

**Tolerances** Unless otherwise specifically noted, the following are default tolerances:  
 \* 2-place Decimal Dimensions +/- .02"  
 \* 3-place Decimal Dimensions +/- .005"  
 \* Angular Dimensions +/- 1.0 Deg.  
 \* Metric: Refer to equivalent English Dimension Tolerance  
 >>> NOTE: All tolerances are Non-Cumulative. <<<

**Dimensional Units** All dimensions are expressed in inches except those shown in brackets (xxx) are expressed in millimeters

"REF." or an Asterisk (\*) = Non-Toleranced Reference Dimension, shown for clarification purposes only.

Used On SAME AS 24524-10 or Ref.: EXCEPT INT DIODE

**PROPRIETARY INFORMATION** This Engineering Drawing, and the information contained herein, is proprietary to Cole Hersee Company and may not be disclosed, re-produced, or in any other way transferred or communicated to any other party without the express written consent of an authorized representative of Cole Hersee Company.

**DESIGN CONTROL** It is the responsibility of the individual using / referencing this drawing to assure that the noted design revision level agrees with the revision level of the Controlled Document (Master Drawing). This is a NON-CONTROLLED DOCUMENT unless otherwise specifically noted.

DO NOT SCALE - Dimensional variation may occur during printing / reproduction.

Drawn By: **G. AUGUSTE** Date Drawn: **01/10/12**

**Special Characteristics:**

- ⬠ Critical Characteristic, relating to Safety and/or Regulatory Compliance
- X Significant Characteristic relating to Process Control (SPC)
- KC Key Characteristic relating to Form - Fit - Function as defined by Cole Hersee Company and/or the Customer

(Note that the identification of any Characteristics as being "Special" does not alter the requirement that ALL specified dimensions & tolerances must be met.)

Responsible Engineer: **G. AUGUSTE** Pg. 1 OF 1

**Cole Hersee Co.**  
 20 Old Colony Ave., South Boston, MA, 02127  
 Phn: 617-268-2100 Web: www.colehersee.com

Description:  
**SOLENOID, 24V, SPST, N.O**

Drawing / Part No.: **24524-10D** Current Rev. **B**