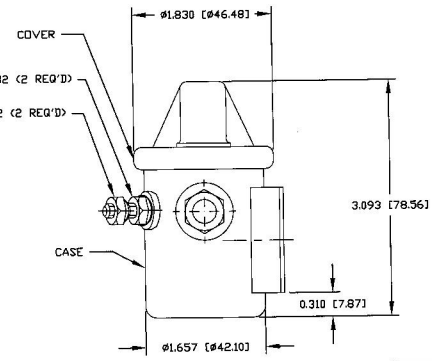
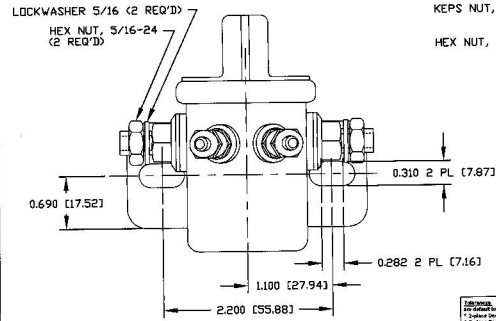
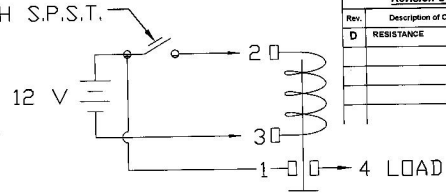
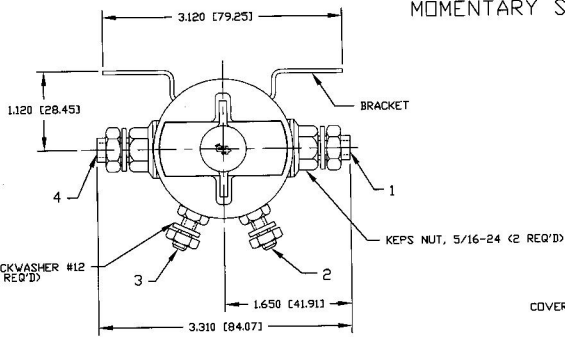


MOMENTARY SWITCH S.P.S.T.

Revision Control Record

Rev.	Description of Change	ECN No.	Date
D	RESISTANCE	00849	11/29/00



SCHEMATIC
SEE NOTE 4

- NOTES:
1. ALL STEEL PARTS PLATED
 2. ALL DIMENSIONS REF. ONLY
 3. RATING 12 V DC, 3.1 OHMS
 4. FOR ACTUATION, USE MOMENTARY S.P.S.T. (NORMALLY OFF) SWITCH OR EQUIVALENT SOURCE. SOLENOID COIL IS NON-POLARITY SENSITIVE
 5. CURRENT RATING 110 AMPS CONTINUOUS (CARRY ONLY) 6 - 36 VOLTS

Dimensions: Unless otherwise specifically noted, the following are standard dimensions:
 * Unless Indicated Dimensions are in INCHES
 * Unless Indicated Dimensions are in MM
 * Angular Dimensions are in DEGREES
 * Holes: Refer to applicable English Dimension Tables
 * UNLESS OTHERWISE SPECIFIED: ALL DIMENSIONS ARE TO BE TAKEN TO THE CENTER OF THE HOLE UNLESS OTHERWISE SPECIFIED.

COMPLETION / INSPECTION: This Engineering Drawing, and the INFORMATION CONTAINED THEREIN, IS PROPERTY OF Cole Horsee Company and may not be disclosed, reproduced, or in any way used without the express written consent of the authorized representatives of Cole Horsee Company.
DESIGN CONTROL: It is the responsibility of the individual using this drawing to ensure that the noted design standards agreed upon with the fabricator of the controlled document (Machine Drawing). This is a NON-CONTROLLED DOCUMENT unless otherwise specifically noted.
 DO NOT SCALE - Dimensional variation may occur during printing/ reproduction.

Key for Revised Characteristics...
 Critical Characteristics, relating to Safety and/or Regulatory Compliance
 Significant Characteristics relating to Process Control (P/C)
 Control Characteristics relating to Form - Fit - Function as defined by Cole Horsee Company and/or the Customer
 Show that the identification of any Characteristics as being "Special" does not alter the requirements that all specified dimensions & tolerances must be met.

Cole Horsee Co.
 30 Old Colony Ave., South Boston, MA, 02127
 Phone: 617-268-2100 Web: www.colehorsee.com

Description: **LATCHING SOLENOID**

Drawings/Part No.: **24200**

Current Rev.: **D**

Used On or Ref: Scale: **1:1** Date: **2/2/94** Responsible Engineer: **N/A** Page: **1 of 1**