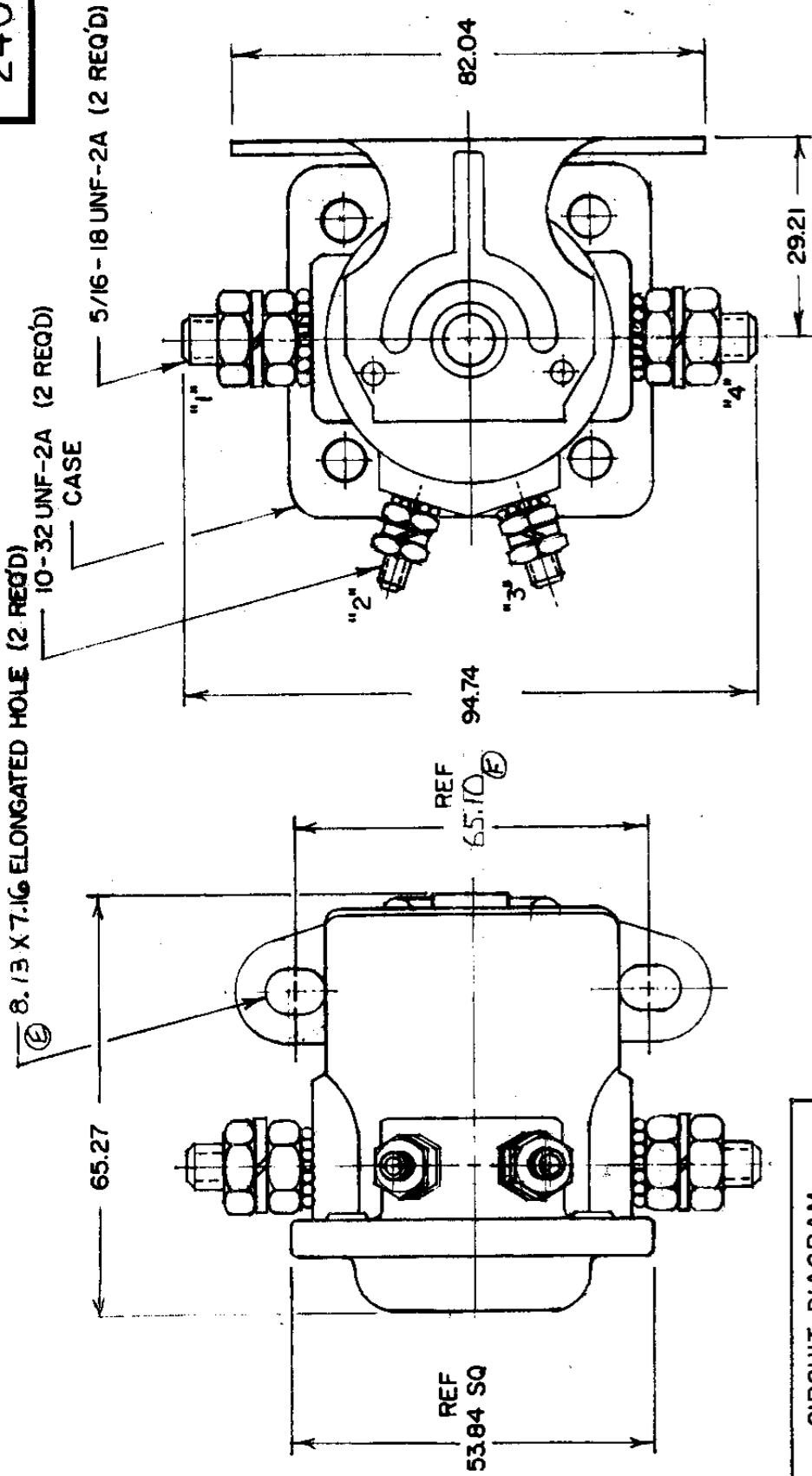
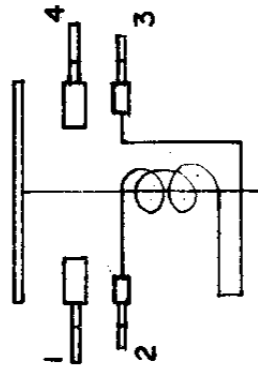


MM IN
 25 .010
 7.16 .282
 8.75 .344
 10.16 .381
 11.81 .429
 13.51 .476
 15.24 .521
 17.01 .570
 18.84 .617
 20.71 .663
 22.61 .709
 24.54 .755
 26.51 .802
 28.54 .848
 30.61 .894
 32.71 .940
 34.84 .987
 37.01 1.033

24023



CIRCUIT DIAGRAM



NOTE:
 1. ALL STEEL PARTS PLATED
 2. 12 VOLTS, INTERMITTENT DUTY
 COIL RESISTANCE: 3.8 OHM ± 5%

Confidential Property of Cole Hersee

DO NOT SCALE

LET.	WAS	DATE	BY LET	WAS	DATE	BY	MATERIAL	DRAWN	CHECKED	APPROVD.	SCALE	DATE DRAWN
			H	ECN 04280	8-4-04	SA		M			1:1	5-12-60
			G	ECN 99172	5-11-97	RF	FINISH					DATE BLUEPRINT
			F	ECN 23910	12-2-88	JK	TOLERANCES					
			E	19.05X / 23673	2-9-88	LR	DECIMAL ±					
			D	REDRAWN	8-22-80	RR	METRIC ± .25					
												24023