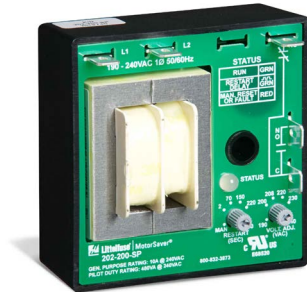


Voltage Monitoring Relays

202-200-SP Series

Single-phase voltage monitor



Description

The 202-200-SP series voltage monitor is designed to protect single-phase motors regardless of their size. It can be used with 190–240 V ac, 50*/60 Hz motors to prevent damage caused by incoming power problems. A unique microcontroller-based, voltage-sensing circuit constantly monitors the voltage to detect harmful power line conditions. The MotorSaver® deactivates its output relay after a specified trip delay whenever harmful conditions are detected. The output relay reactivates after power line conditions return to an acceptable level and a specified amount of time has elapsed (restart delay). The trip delay prevents nuisance tripping due to rapidly fluctuating power line conditions.

*Note: 50 Hz will increase all delay timers by 20%.

Features & Benefits

FEATURES	BENEFITS
Proprietary microcontroller-based circuitry	Constant monitoring of voltage to detect harmful power line conditions, even before a motor starts
Fixed trip delay 4 s	Prevents nuisance tripping due to rapidly fluctuating power line conditions
Adjustable restart delay (manual, 2–3 s)	Allows staggered start-up of multiple motors after a fault to prevent a low-voltage condition
Advanced LED indication	Provides diagnostics that can be used for troubleshooting and to determine relay status
One screw mounting and standard ¼" quick-connect terminals	Fast installation and compact size are perfect for panel assembly or OEM applications

Applications

- Fan motors
- Air conditioners
- Compressors
- Heat, well, and sump pumps
- Small conveyer motors

Voltage Monitoring Relays

202-200-SP Series

Specifications

Functional Characteristics

Line Voltage 190–240 V ac
Frequency 50*/60 Hz

Functional Characteristics

Low Voltage (% of setpoint)
Trip 90%
Reset 93%

High Voltage (% of setpoint) (not available on -NHV model)

Trip 110%
Reset 107%

Trip Delay Time
High and Low Voltage 4 seconds

Restart Delay Time
After a Fault or Complete Power Loss Manual, 2–300 seconds adjustable

Output Characteristics

Output Contact Rating (SPDT)
Pilot Duty 480 VA @ 240 V ac
General Purpose 10 A @ 240 V ac

General Characteristics

Temperature Range -40° to 70 °C (-40° to 158 °F)
Trip & Reset Accuracy ±1%
Repeatability ±0.5%
Input to Output Dielectric 1480 Vrms (min.)
Termination 0.25" male quick connect
Maximum Input Power 5 W
Relative Humidity 95%, non-condensing
Transient Protection IEC 61000-4-5, ±4 kV
Dimensions **H** 63.5 mm (2.5"); **W** 63.5 mm (2.5"); **D** 35.56 mm (1.4")
Weight 0.5 lb. (8 oz., 226.8 g)
Mounting Method 1/4" socket head cap screw (customer supplied)

*Note: 50 Hz will increase all delay timers by 20%.

Certification & Compliance

UL	UL508 (File #E68520)
-----------	----------------------

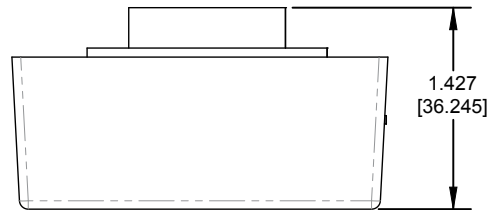
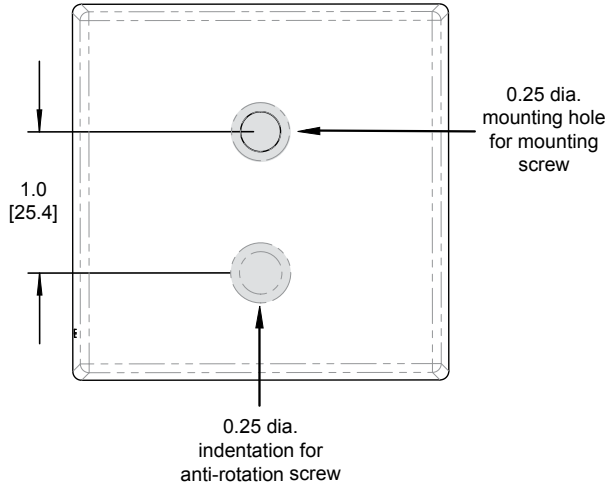
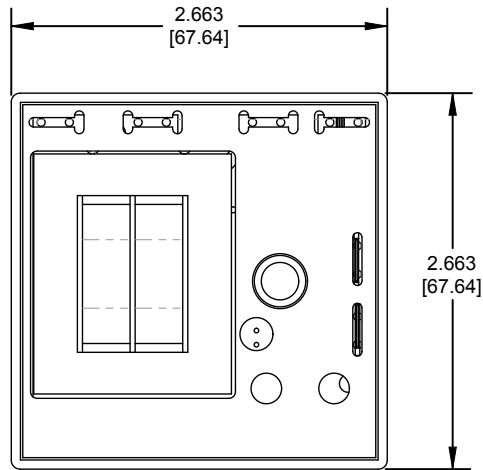
Ordering Information

MODEL	LINE VOLTAGE	DESCRIPTION
202-200-SP	190–240 V ac	SPDT, high and low voltage protection
202-200-SP-NHV	190–240 V ac	SPDT, low voltage protection only

Voltage Monitoring Relays

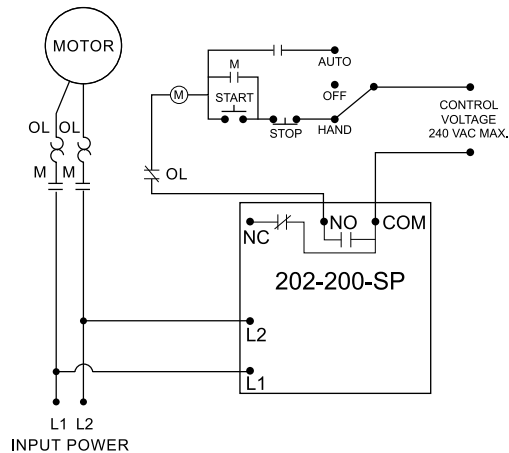
202-200-SP Series

Dimensions Inches (mm)

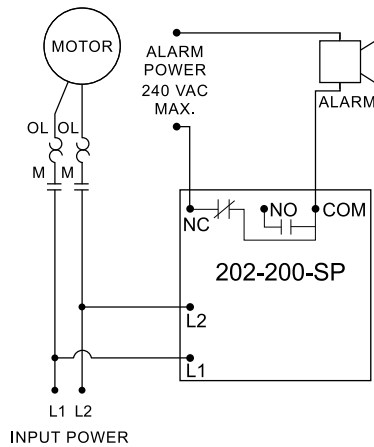


Wiring Diagram

TYPICAL WIRING DIAGRAM FOR MODEL 202-200-SP WITH MOTOR CONTROL



TYPICAL WIRING DIAGRAM FOR MODEL 202-200-SP WITH ALARM CONTROL



Disclaimer Notice – Information furnished is believed to be accurate and reliable. However, users should independently evaluate the suitability of and test each product selected for their own applications. Littelfuse products are not designed for, and may not be used in, all applications. Read complete Disclaimer Notice at www.littelfuse.com/product-disclaimer.