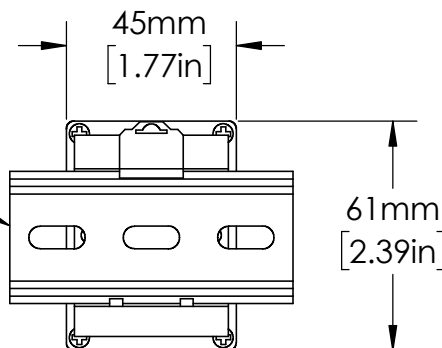


OT08PC
RELAY SOCKET

35mm
DIN RAIL



UNLESS NOTED OTHERWISE
DIMENSIONS ARE IN INCHES
TOLERANCES:
TWO PLACE DECIMAL ±0.05
NOT DRAWN TO SCALE



DESCRIPTION:
SINGLE PHASE VOLTAGE
MONITORING PROTECTION

PART NUMBER:
201-SP-DPDT SERIES

REV
A



MATERIAL

NAME DATE
DRAWN BY JMOLER 12/27/22

SHEET 1 OF 1