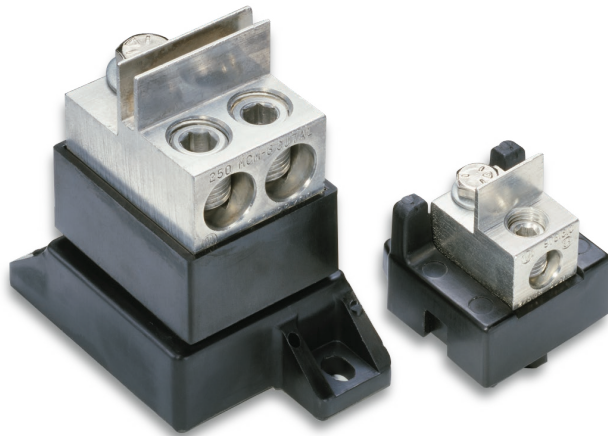


# 1LFS SERIES HIGH-SPEED FUSE BLOCKS

600 V • 1-400 A



## Description

Littelfuse modular style semiconductor fuse blocks accommodate a wide range of semiconductor fuses. Blocks are provided in pairs with fuse mounting hardware.

## Features/Benefits

- Modular design reduces inventory requirements
- Sold in pairs for convenience
- Constructed of general purpose phenolic (with tin plated aluminum terminations)

## Ordering Information

CATALOG NUMBER	AMPERE RATING	WIRE RANGE	WIRE RATING	APPROVALS
1LFS101	100 A	#2/0 - 14 CU/AL	120 in-lbs	UL Recognized
1LFS102	400 A	250MCM - #6 CU/AL	275 in-lbs	UL Recognized

## Recommended Fuses

### 1LFS101

FUSE SERIES	AMPERE RATINGS
L15S	70-100
L25S	35-100
L50S	35-100
L60S	35-100
KLC	1-100
L50QS	35-100

### 1LFS102

FUSE SERIES	AMPERE RATINGS
L15S	70-400
L25S	70-200
L50S	125-200
L60S	125-200
L50QS	125-200
JLLS	110-200

## Specifications

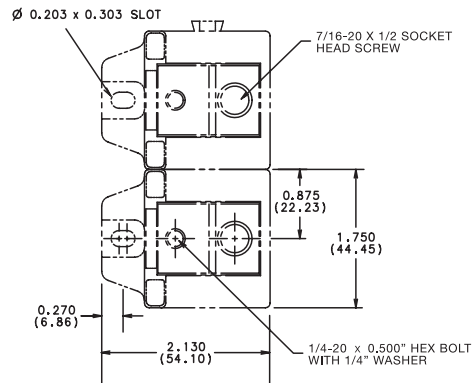
<b>Voltage Rating</b>	600 V
<b>Ampere Rating</b>	1 – 400 A
<b>Approvals</b>	UL Recognized E14721
<b>Material</b>	<b>Base:</b> 150 °C general purpose phenolic <b>Terminal:</b> Tin plated aluminum
<b>Flammability Rating</b>	UL94 V-0

## Web Resources

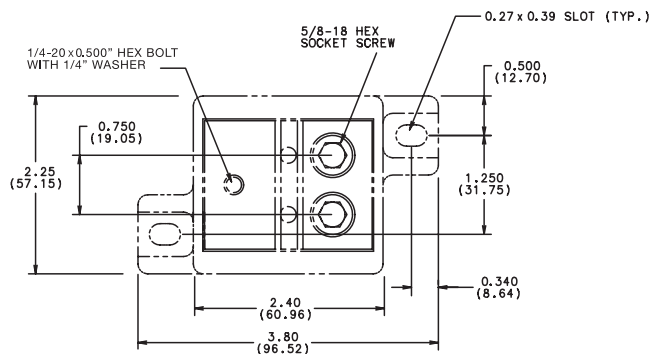
Download CAD drawings and other technical information:  
[littelfuse.com/1lfs](http://littelfuse.com/1lfs)

## Dimensions Inches (mm)

### 1LFS101



### 1LFS102



**Disclaimer Notice** – Information furnished is believed to be accurate and reliable. However, users should independently evaluate the suitability of and test each product selected for their own applications. Littelfuse products are not designed for, and may not be used in, all applications. Read complete Disclaimer Notice at [www.littelfuse.com/product-disclaimer](http://www.littelfuse.com/product-disclaimer).