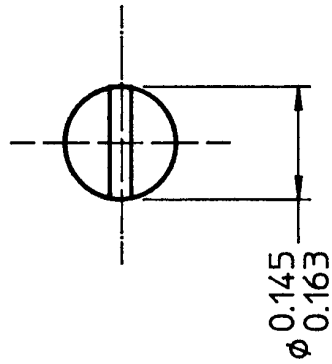
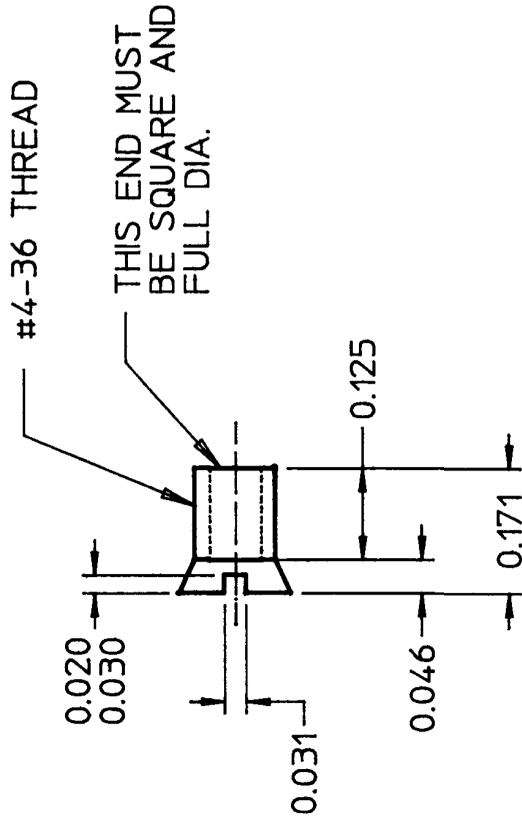


1465-5



NOTES:  
1. MATERIAL: BRASS  
2. FINISH: SEE CHART

1465-5A	ZN15
1465-5	NONE
<b>PART NO.</b>	<b>FINISH</b>

Ⓛ

DO NOT SCALE													
LET	WAS	DATE	BY	LET	WAS	DATE	BY	MATERIAL NOTED	DRAWN PG	CHK	APVD	SCALE	DATE DRAWN
								FINISH NOTED	1465, 2184	AF		4:1	10/14/47
								TOLERANCES DECIMAL ± 0.005 ANGLE ±	 Cole Hersee Co. 20 OLD COLONY AVENUE, BOSTON, MA, U.S.A. 02127				DATE BLUEPRINTED
				L	EON 25525	1/25/94	BL						
				K	PUT ON CAD	6/29/89	LIZ						
													1465-5