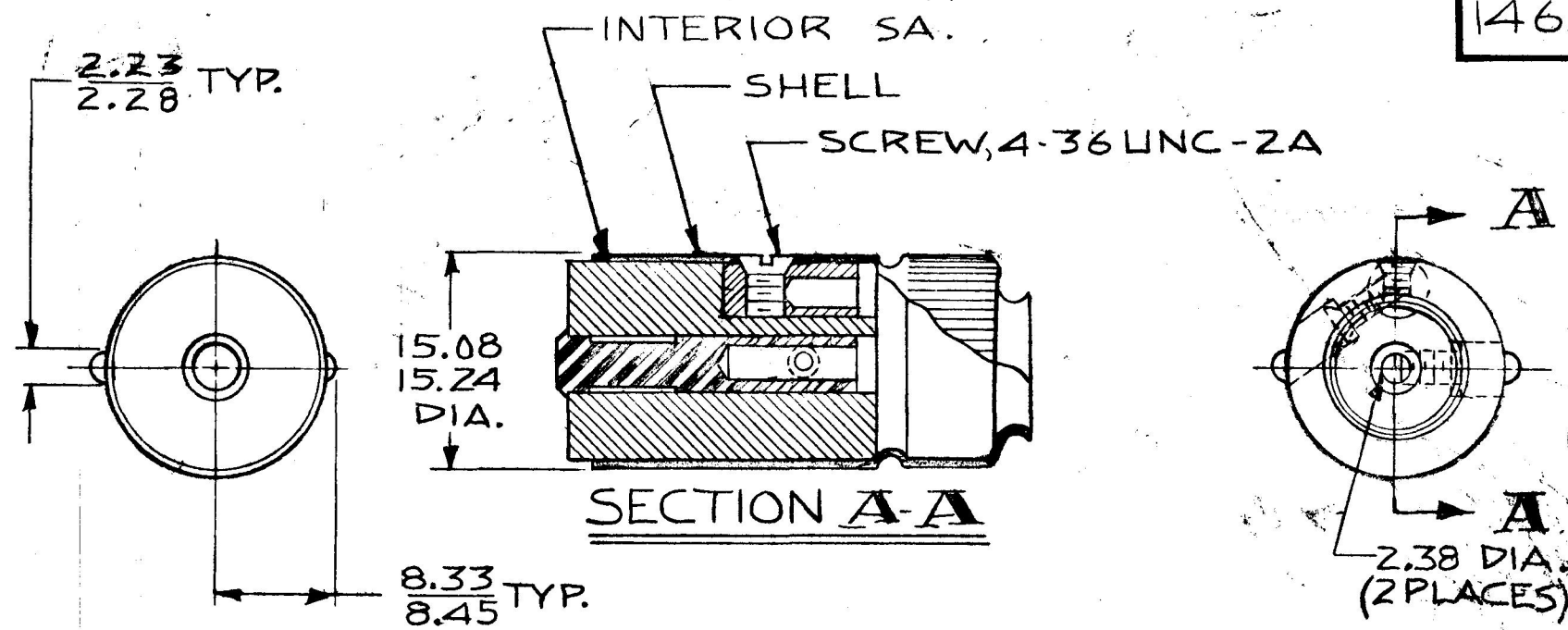


MM IN
 2.23 .088
 2.28 .090
 2.38 .093
 3.17 .125
 8.33 .328
 8.45 .333
 34.95 1.375


1465



NOTE
 1. ALL STEEL PARTS
 PLATED

METRIC

DO NOT SCALE

LET.	WAS	DATE	BY	LET.	WAS	DATE	BY	MATERIAL	DRAWN	CHECKED	APPR'D.	SCALE	DATE DRAWN
									CA	RJZ		2X	7-20-42
								FINISH	 Cole Hersee Co. <small>20 OLD COLONY AVENUE, SOUTH BOSTON, MA, U.S.A. 02127</small>				DATE BLUEPRINT
								TOLERANCES					
								DECIMAL ±.010	PLUG SC 1465				
								METRIC ±.25					
				V	REVISED 21353 REDRAWN	3/16/81	DP						

EX19245

CH-188(4-78)