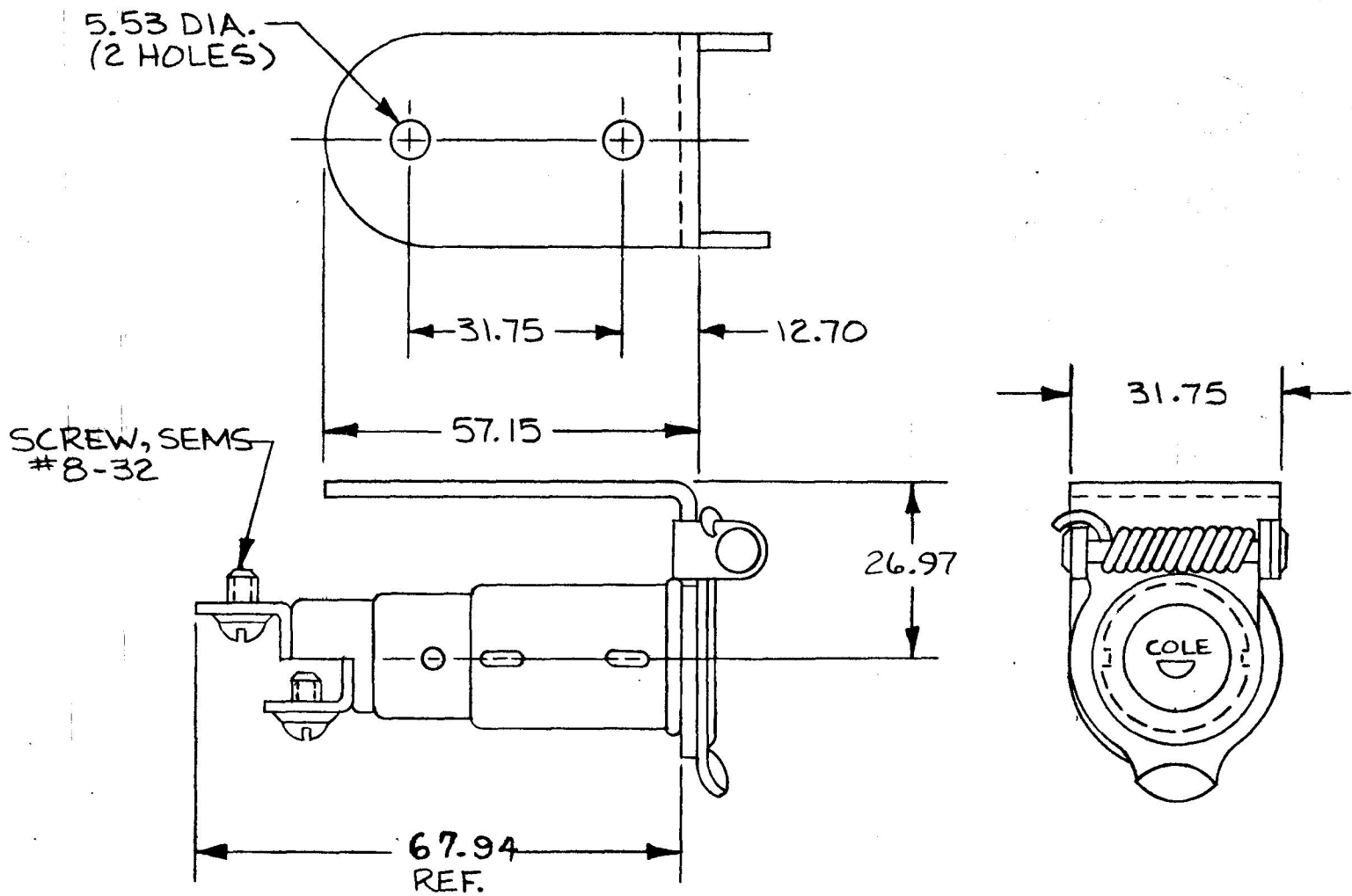


MM	IN
5.53	.218
12.70	.500
26.97	1.062
31.75	1.250
57.15	2.250
67.94	2.675

1282



NOTES:
1. ALL STEEL PARTS PLATED

METRIC

DO NOT SCALE

LET.	WAS	DATE	BY	LET	WAS	DATE	BY	MATERIAL	DRAWN	CHECKED	APPRV'D.	SCALE	DATE DRAWN
								<i>[Signature]</i>	GK	<i>[Signature]</i>		1:1	3-1-51
								FINISH					DATE BLUEPRINT
								TOLERANCES	 Cole Hersee Co. <small>20 OLD COLONY AVENUE SOUTH BOSTON, MA U.S.A. 02127</small>				
								DECIMAL ± METRIC ±					FEI SOCKET

CH-188(4-78)