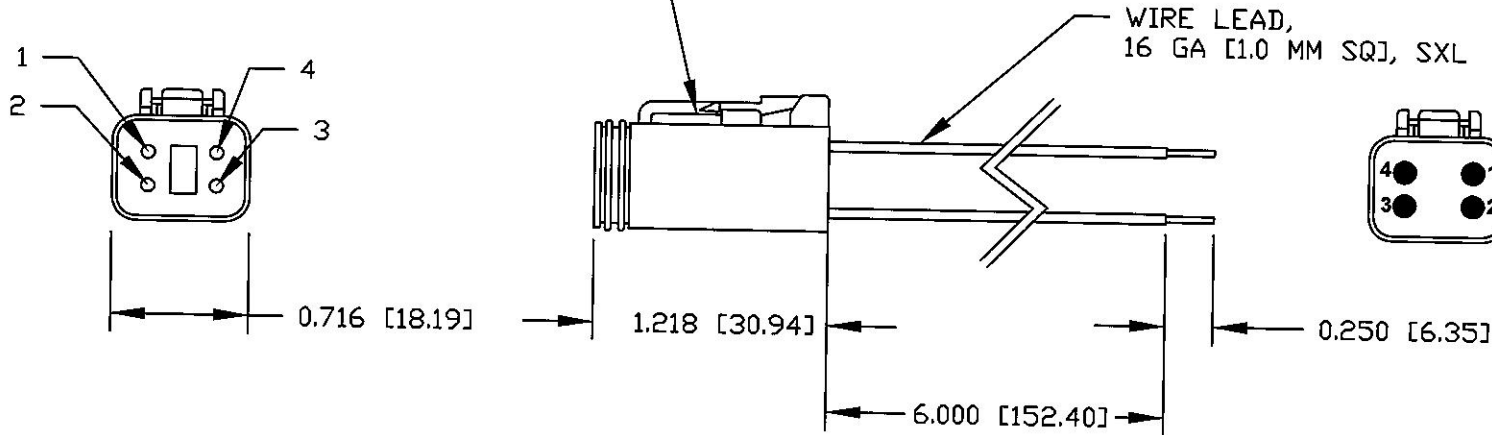


**Revision Control Record**

Rev.	Description of Change	ECN No.	Date
A	RELEASED DRAWING	08236	05/05/08
B	CHANGE BOM	09247	04/09/09

HOUSING: DEUTSCH DT06-4S,  
 TERMINAL: DEUTSCH 0462-201-16141, 4P  
 WEDGE: DEUTSCH W4S



NOTES:  
 1. ALL DIMENSIONS ARE REFERENCE ONLY

LENGEND	
4	ORANGE
3	WHITE
2	PURPLE
1	BLACK
POS	COLOR

**Tolerances** Unless otherwise specifically noted, the following are default tolerances:  
**2-places** +/- 0.02"  
**3-places** +/- 0.005"  
**Angular** +/- 1'  
 Metric: Shown in [ ] refers to equivalent English Dim Tol  
 "REF." or an Asterisk (\*) = Non-Toleranced Reference Dimension, shown for clarification purposes only.  
 NOTE: All tolerances are Non-Cumulative.

**PROPRIETARY INFORMATION**  
 This Engineering Drawing, and the information contained herein, is proprietary to Cole Hersee Company and may not be disclosed, re-produced, or in any other way transferred or communicated to any other party without the express written consent of an authorized representative of Cole Hersee Company.

- Special Characteristics:**
- CC** Critical Characteristic, relating to Safety and/or Regulatory Compliance
  - X** Significant Characteristic relating to Process Control
  - KC** Control Dimension relating to Form - Fit - Function as defined by Cole Hersee Company and/or the Customer



**Cole Hersee Co.**

20 Old Colony Ave., South Boston, MA, 02127  
 Phn: 617-268-2100 Web: www.colehersee.com

**Description:**

**CABLE ASSY, 4 P, M**

**Drawing / Part No.:**

**12804**

**Current Rev.**

**B**