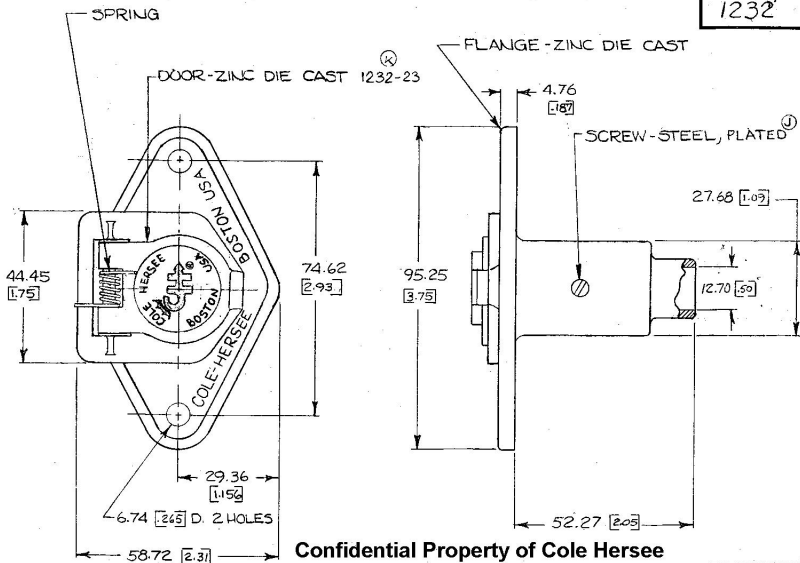


1232



Confidential Property of Cole Hersee

DO NOT SCALE

LET	WAS	DATE	BY	LET	WAS	DATE	BY	MATERIAL	DRAWN	CHECKED	APPR'VD.	SCALE	DATE DRAWN
								NOTED	DUM	R&B		1:1	7-12-50
								FINISH	COLE-HERSEE COMPANY				DATE BLUEPRINT
								NOTED	BOSTON, MASS. 02127, U.S.A.				
				K	NEW 2500/23125	8/27/56	ZU	TOLERANCES	4 WAY TRAILER COUPLER FLANGE SOCKET ASSY				1232
				J	CAD/22940	2/20/86	KR	FRACTIONAL ±					
				H	REDRAWN	8-5-75	HL	DECIMAL ±.010					