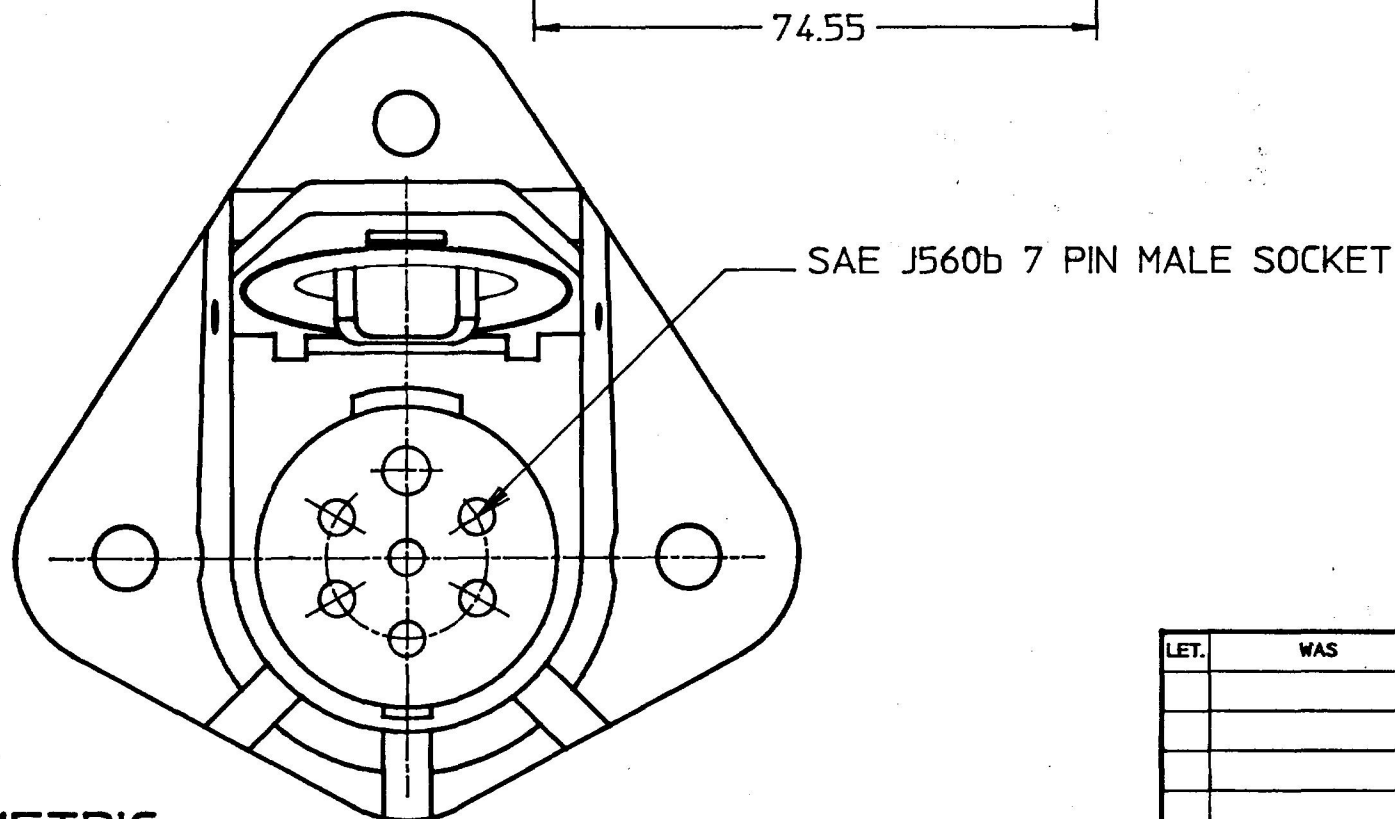
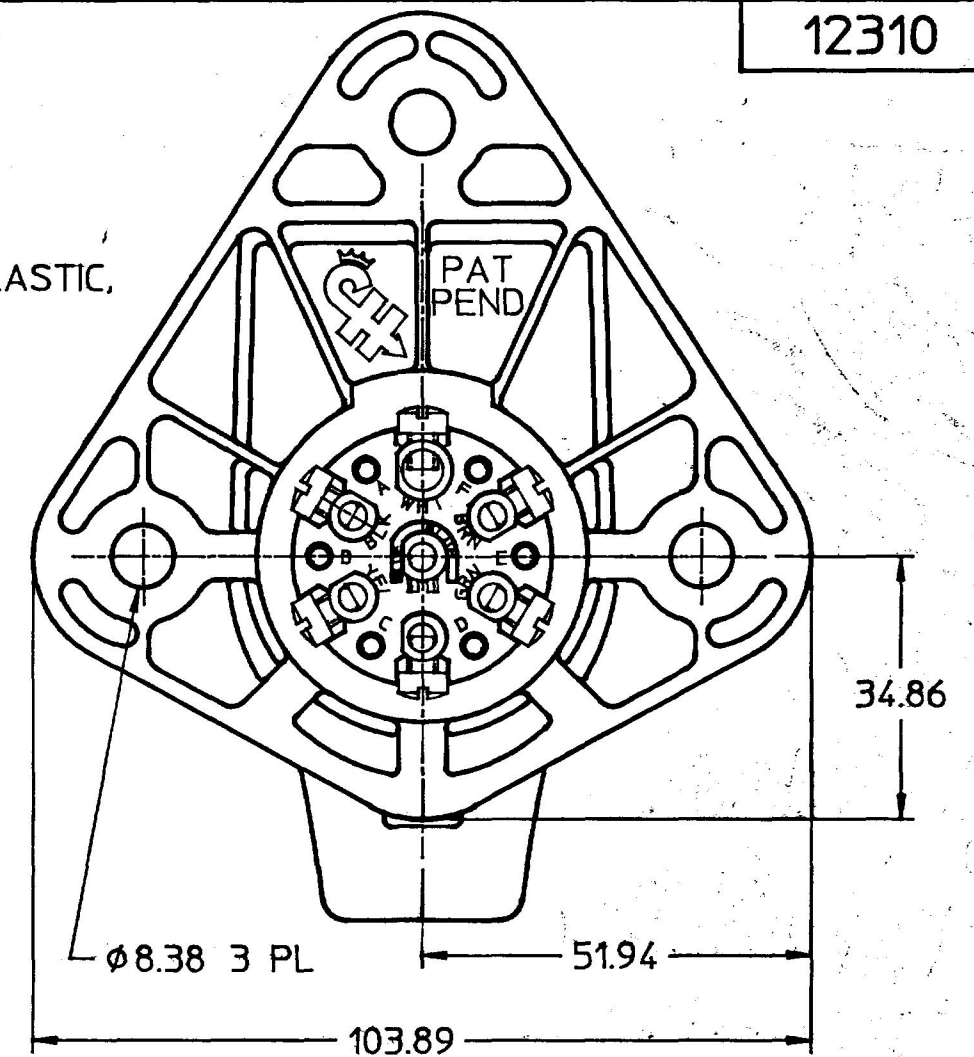
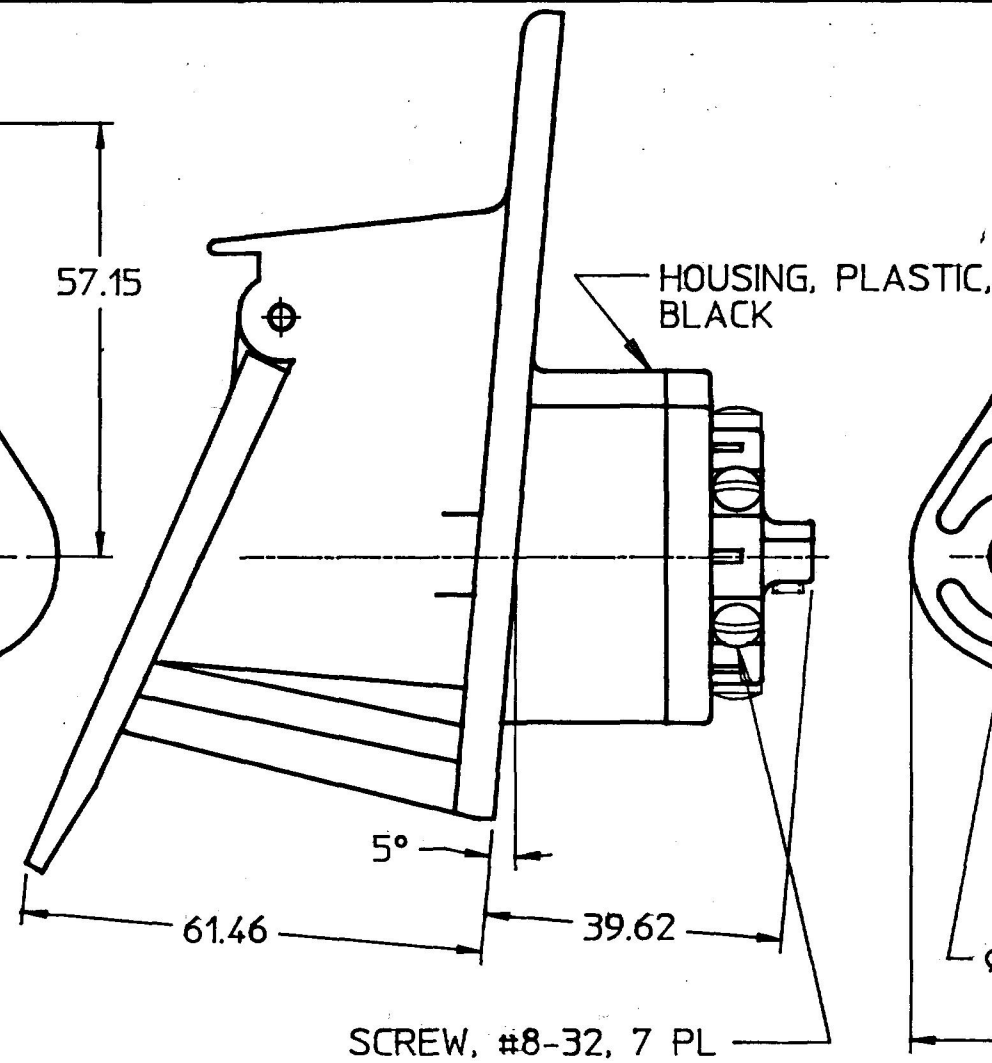
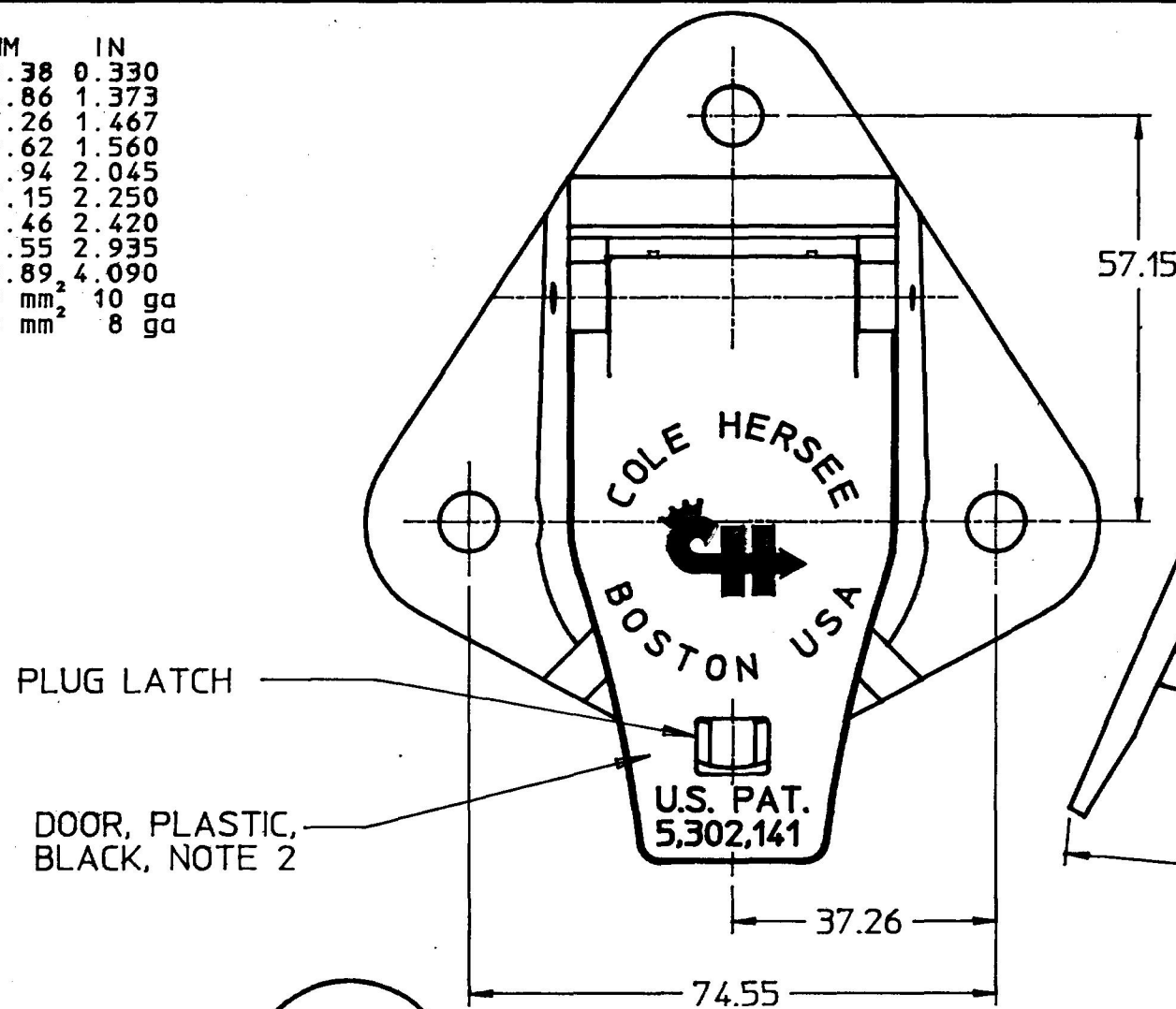



12310

| MM                  | IN    |
|---------------------|-------|
| 8.38                | 0.330 |
| 34.86               | 1.373 |
| 37.26               | 1.467 |
| 39.62               | 1.560 |
| 51.94               | 2.045 |
| 57.15               | 2.250 |
| 61.46               | 2.420 |
| 74.55               | 2.935 |
| 103.89              | 4.090 |
| 5.0 mm <sup>2</sup> | 10 ga |
| 8.0 mm <sup>2</sup> | 8 ga  |



- NOTES:
1. ALL DIMENSIONS REFERENCE ONLY
  2. GASKET SEAL BETWEEN DOOR AND HOUSING
  3. WHITE TERMINAL WILL ACCEPT UP TO 8.0 mm WIRE LEAD. BLACK, BLUE, BROWN, GREEN, RED AND YELLOW TERMINALS WILL ACCEPT UP TO 5.0 mm<sup>2</sup> WIRE LEADS.

DO NOT SCALE

| LET. | WAS | DATE | BY | LET. | WAS | DATE | BY | MATERIAL   | DRAWN  | CHK | APVD | SCALE | REF   | DATE DRAWN       |
|------|-----|------|----|------|-----|------|----|------------|--|-----|------|-------|-------|------------------|
|      |     |      |    |      |     |      |    |            | DPS  | MF  |      | 1:1   | 12300 | 8/23/93          |
|      |     |      |    |      |     |      |    | FINISH     |  <b>Cole Hersee Co.</b><br>20 OLD COLONY AVENUE, BOSTON, MA, U.S.A. 02127 |     |      |       |       | DATE BLUEPRINTED |
|      |     |      |    |      |     |      |    | TOLERANCES | <b>7 PIN SOCKET</b>  |     |      |       |       | 12310            |
|      |     |      |    |      |     |      |    | DECIMAL ±  |  |     |      |       |       |                  |
|      |     |      |    |      |     |      |    | ANGLE ±    |  |     |      |       |       |                  |
|      |     |      |    |      |     |      |    | ISSUED     | 4/25/94 MF   |     |      |       |       |                  |

METRIC