

| MM | IN |
|--------|-------|
| 7.25 | .285 |
| 7.11 | .280 |
| 11.43 | .450 |
| 11.55 | .455 |
| 12.70 | .500 |
| 13.46 | .530 |
| 21.33 | .840 |
| 21.39 | .842 |
| 21.33 | .840 |
| 23.10 | .910 |
| 29.97 | 1.180 |
| 76.20 | 3.000 |
| 104.77 | 4.125 |
| 107.13 | 4.218 |
| 18.66 | .735 |

COLE-HERSEE CO.

INSULATOR SPRING RELEASE

PLUG BODY, ZINC DIE CAST WITH 18.66 DIA. CABLE HOLE

COIL (SHIPPED LOOSE)

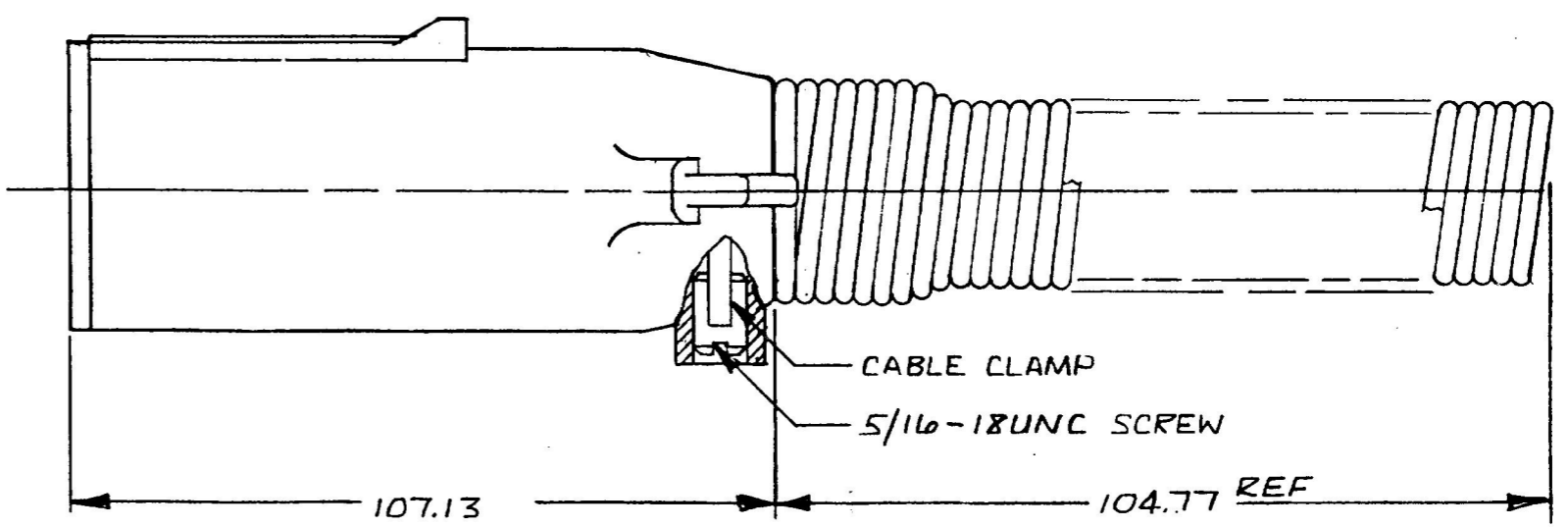
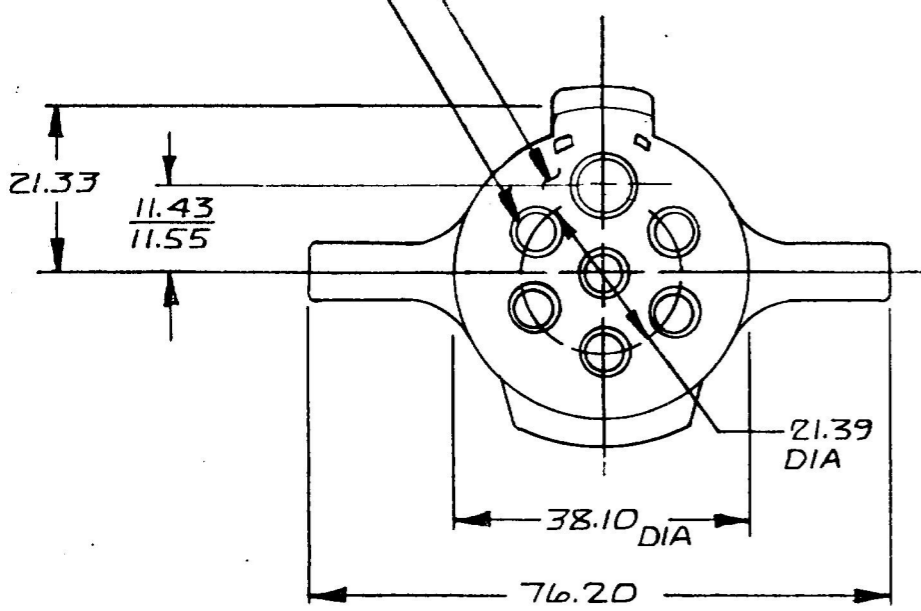
INSERT

INSULATOR



13.46 X 7.11 ELONGATED HOLE (2 HOLES)

53.97



NOTES:

1. CONFORMS TO S.A.E. STANDARDS J560b ^(A)
2. CURRENT CARRYING INSERTS BRASS
3. WILL ACCEPT UP TO #8 GA WIRE AT GROUND TERMINAL (WHITE) & UP TO #10 GA WIRE AT ALL OTHER TERMINALS

METRIC

DO NOT SCALE

| LET. | WAS | DATE | BY | LET | WAS | DATE | BY | MATERIAL | DRAWN | CHECKED | APPRV'D | SCALE | DATE DRAWN |
|------|-----|------|----|-----|-----------|----------|------|--------------|-------|---------|---------|-------|-------------------|
| | | | | | | | | # | (R) | | | 1:1 | 1-13-82 |
| | | | | | | | | FINISH | | | | | DATE BLUEPRINT |
| | | | A | | WAS J560b | 12-22-82 | D.B. | TOLERANCES | | | | | 7 POLE PLUG ASS'Y |
| | | | | | ISSUED | 12/15/82 | K.F. | DECIMAL ± | | | | | 12092 |
| | | | | | | | | METRIC ± .25 | | | | | |

BRUNING 40-21 40164