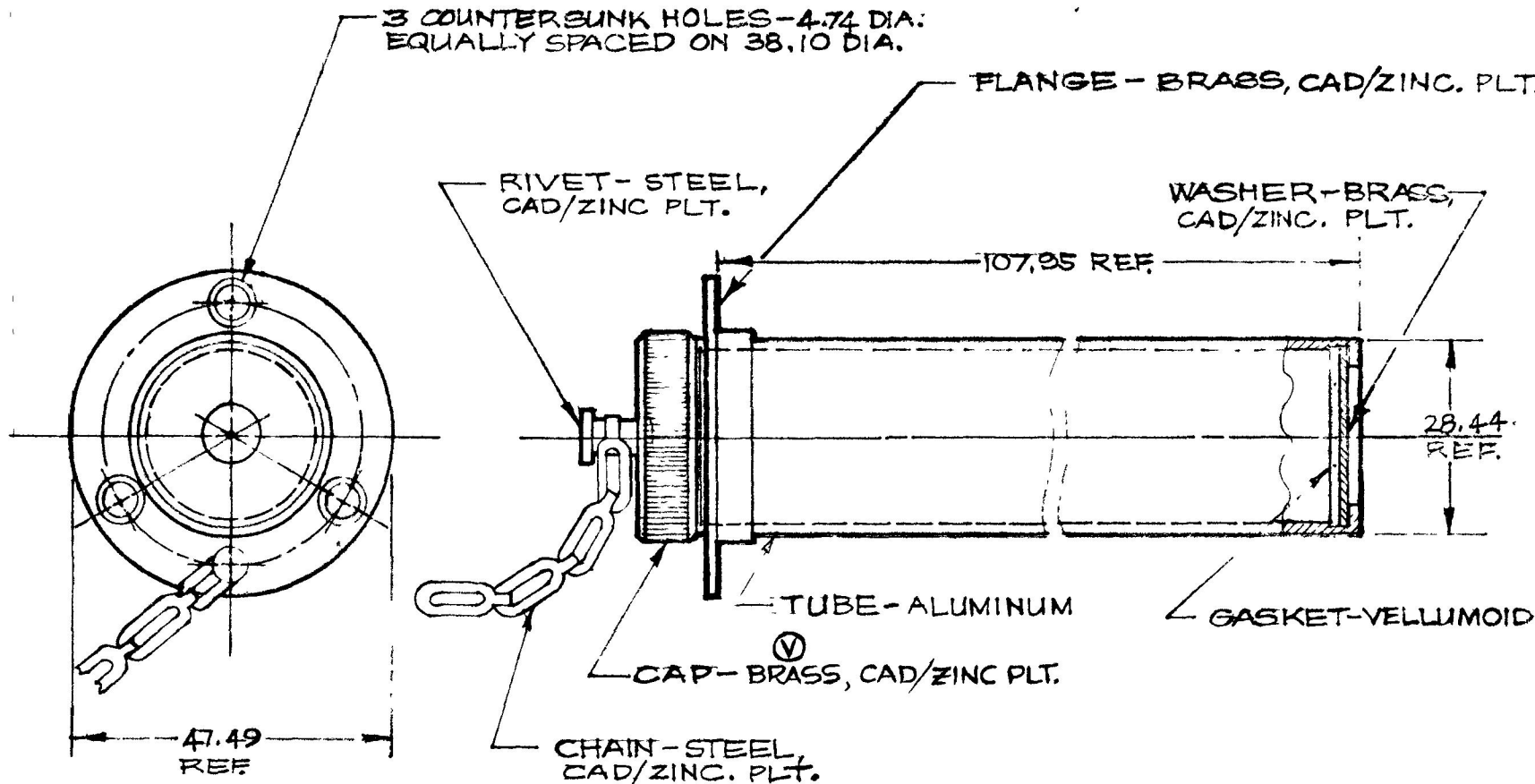


.25	.010
4.74	.187
28.44	1.120
38.10	1.500
47.49	1.870
107.95	4.250

1160

COLE-HERSEE CO.



DO NOT SCALE

LET	WAS	DATE	BY	LET	WAS	DATE	BY	MATERIAL	DRAWN	CHECKED	APPRV D	SCALE	DATE DRAWN
								— # —	P. 3.	FY 4-22-17		1:1	7-9-47
								FINISH — # —	COLE-HERSEE COMPANY BOSTON, MASS. 02127, U.S.A.				DATE BLUEPRINT
				V	REV/200 14	2-3-18	JV	TOLERANCES FRACTIONAL ± DECIMAL ±.25	LICENSE CARRIER				1160

SPAULDING CO., INC 21-5353