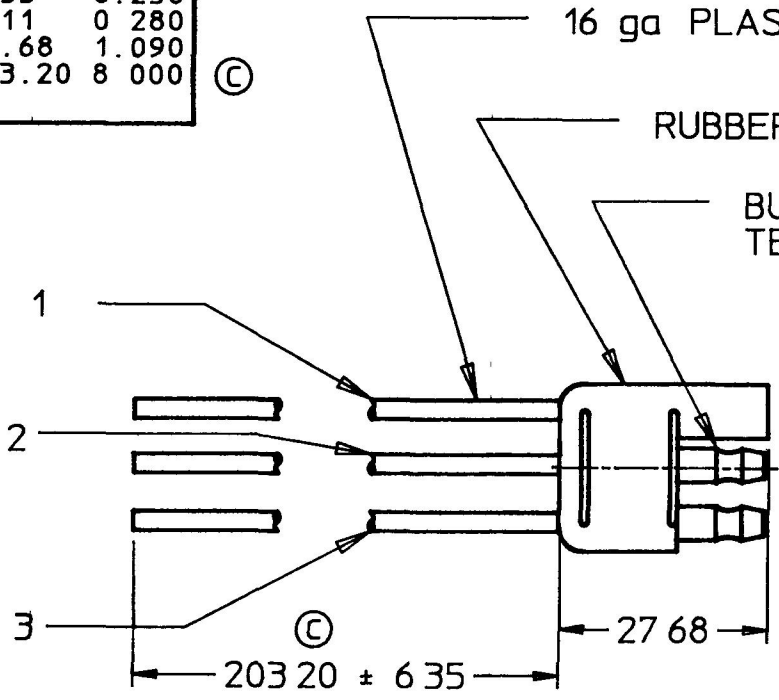
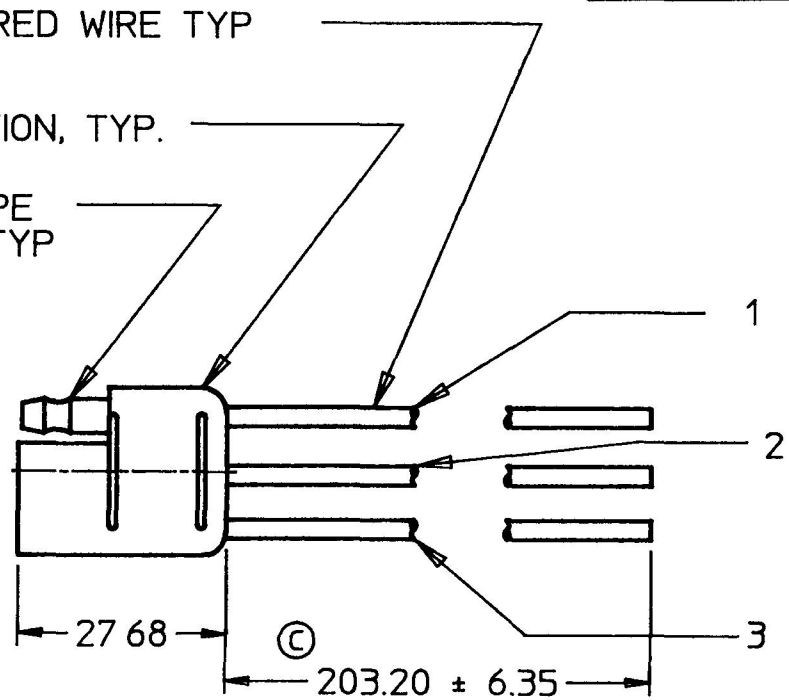


| | |
|--------|-------|
| MM | IN |
| 6.35 | 0.250 |
| 7.11 | 0.280 |
| 27.68 | 1.090 |
| 203.20 | 8.000 |

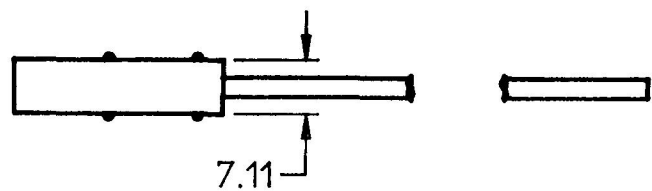
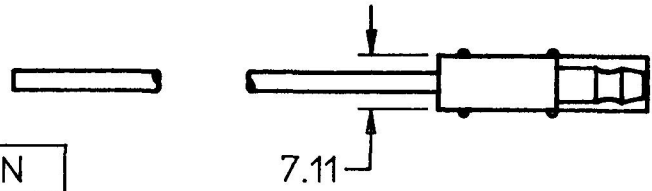
©



11173-01



11173-02



| | |
|-----|-------|
| 3 | GREEN |
| 2 | RED |
| 1 | WHITE |
| NO. | COLOR |

METRIC

DO NOT SCALE
CAD GENERATED

| LET | WAS | DATE | BY | LET | WAS | DATE | BY | MATERIAL | DRAWN | CHK | APVD | SCALE | DATE DRAWN |
|-----|-----|------|----|-----|----------------------|---------|-----|------------------------------------|--------------------------------------------------------------------------------------|-----|------|-------|------------------|
| | | | | | | | | | MF | AF | | 11 | 11/26/65 |
| | | | | | | | | FINISH | Cole Hersee Co. <small>20 OLD COLONY AVENUE SOUTH BOSTON, MA U.S.A. 02127</small> | | | | DATE BLUEPRINTED |
| | | | | C | 5637 REDRAW ERROR | 8/18/88 | DPS | | | | | | |
| | | | | B | PUT ON CAD | 2/2/88 | DPS | TOLERANCES DECIMAL ± ANGLE ± | CONNECTOR, 3 POLE | | | | 11173 |
| | | | | | ISSUED | 6/15/66 | B | | | | | | |